

# Operating Instructions Testomat 2000<sup>®</sup> Fe

Process Photometer for  
Iron (Dissolved) 0 – 1.0 mg/l



# Contents

<b>Contents</b> .....	<b>2</b>
<b>Important safety information</b> .....	<b>4</b>
Intended use .....	4
Qualification of the staff .....	4
Warning notices in these instructions .....	5
Further documents.....	5
Pay particular attention to .....	5
General instructions .....	5
Installation .....	6
Operation .....	6
After switch-off and longer downtime.....	6
Cleaning.....	6
De-installation .....	6
Disposal .....	6
<b>Scope of delivery</b> .....	<b>7</b>
<b>Performance specifications</b> .....	<b>7</b>
<b>Application instructions</b> .....	<b>8</b>
<b>Installation</b> .....	<b>9</b>
Operating Testomat 2000® Fe in the pressure range 0.3 to 1 bar.....	9
Installing Testomat 2000® Fe.....	9
Connecting the water inlet and outlet .....	10
Water inlet.....	10
Water outlet.....	10
Connecting the power supply and devices .....	11
Block diagram Testomat 2000® Fe .....	11
Internal design Testomat 2000® Fe .....	12
Connecting the mains voltage.....	13
Connecting the plant components .....	14
Connecting the inputs and outputs .....	15
<b>Commissioning</b> .....	<b>16</b>
Inserting reagent bottles .....	16
Filling the reagent .....	16
Opening the water inlet.....	16
Instrument settings and data input.....	17
<b>Functions of the operating and display elements</b> .....	<b>17</b>
Switching Testomat 2000® Fe on/off.....	17
Display functions .....	18
Operating elements and function keys .....	19
Operating system.....	20
<b>Password protection and basic program</b> .....	<b>21</b>
Entering basic program data.....	21
Selecting the operating mode .....	21
Selecting the displayed unit .....	24
<b>Entering further basic program data</b> .....	<b>25</b>
Internal flushing.....	25
External flushing .....	25
Interval pause .....	26
Limit value monitoring .....	26
Hysteresis .....	27

---

Switch functions of the limit value outputs LV1 and LV2 .....	28
Switch function 0, duration .....	28
Switch function 1, impulse .....	28
Switch function 2, interval .....	28
Switch function 3, two-point .....	28
Function IN1 .....	29
Water meter .....	29
Plant monitoring .....	29
Alarm / Message .....	30
Function AUX .....	30
Service II .....	31
Calibration .....	31
Resetting the operating time .....	33
Maintenance interval .....	33
Water quantity RESET .....	33
Plant control RESET .....	33
<b>Description of the signal inputs/outputs .....</b>	<b>34</b>
Interfaces (optional) .....	35
Installing the interface cards SK910/RS910 .....	35
Monitoring of one measuring point .....	36
Monitoring of two measuring points .....	36
Calculating the output currents .....	37
Serial interface RS232 .....	37
SD card data logger .....	38
<b>Description of the relay outputs .....</b>	<b>38</b>
Flushing (external flush valve) .....	38
LV1 and LV2 limit value outputs .....	38
Measuring point 1 or 2 (measuring point switch-over) .....	39
AUX (programmable function output) .....	39
Alarm (fault message output) .....	40
Maintenance (output for maintenance message) .....	40
<b>Information menu "i" .....</b>	<b>41</b>
<b>Program menu "M" .....</b>	<b>42</b>
<b>Structure of the basic program .....</b>	<b>44</b>
<b>Error messages / Troubleshooting .....</b>	<b>45</b>
Further information .....	46
<b>Maintenance .....</b>	<b>47</b>
Description of maintenance work .....	47
Service instructions .....	48
<b>Testomat 2000® Fe spare parts and accessories .....</b>	<b>49</b>
Accessories .....	50
Reagents .....	50
<b>Technical data .....</b>	<b>51</b>
Conformity Declaration .....	52
<b>Product overview Testomat 2000® instruments .....</b>	<b>52</b>
Check List Testomat 2000® .....	54



## Important safety information

- Please read these operating instructions carefully and completely prior to working with the instrument.
- Ensure that these operating instructions are always available for all users.
- These operating instructions must always be passed on to the new owner should Testomat 2000® Fe change hands.
- Always adhere to hazard warnings and safety tips when using reagents, chemicals and cleaning agents. Please adhere to the respective safety data sheet! Download the safety data sheets for the supplied reagents at <http://www.hey1.de>.

### Intended use

The process photometer Testomat 2000® Fe is a robust wet-chemical online monitor for monitoring the dissolved iron content (II)+(III) from 0 to 1.0 mg/l using a colourimetric analysis principle.

Analysis is carried out by adding two reagents. The analysis result is displayed after a reaction time of approx. 7 minutes (absolute measuring time without flushing times).

Applications include, e.g., the monitoring of de-ironing plants or the monitoring of process or drinking-water flows.

Always adhere to the performance limits stated in the section entitled "Technical data".

- Always observe the requirements of the medium being measured. To ensure correct and intended usage, always read and understand these instructions, especially the section entitled "Important safety information", prior to use.

The instrument is not used as intended if

- it is used in areas not specified in these instructions,
- it is used in areas which do not correspond to the ones described in these instructions.

### Qualification of the staff

Assembly and commissioning require fundamental electrical and process engineering knowledge as well as knowledge of the respective technical terms. Assembly and commissioning should therefore only be carried out by a specialist or by an authorised individual supervised by a specialist.

A specialist is someone who due to his/her technical training, know-how and experience as well as knowledge of relevant regulations can assess assigned tasks, recognise potential hazards and ensure appropriate safety measures. A specialist should always adhere to the relevant technical regulations.

## Warning notices in these instructions

The warning notices in these instructions warn the user about potential dangers to individuals and property resulting from incorrect handling of the instrument. The warning notices are structured as follows:



### Description of the type or source of danger

Description of the consequences resulting from non-observance

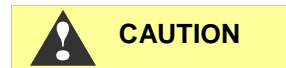
- Preventive measures. Always adhere to these preventive measures.



“**DANGER**” indicates an immediate hazardous situation which, if not avoided, will result in death or serious injury.



“**WARNING**” indicates a potentially hazardous situation which, if not avoided, could result in death or serious injury.



“**CAUTION**” indicates a potentially hazardous situation which, if not avoided, could result in minor or moderate injuries or property damage.



“**NOTE**” indicates important information. If this information is not observed, it may result in an undesirable result or state.

## Further documents

Testomat 2000® Fe is a plant component. Therefore, always observe the maintenance manual of Testomat 2000®/Testomat ECO® and the documentation of the plant manufacturer.

## Pay particular attention to

### General instructions

- Please adhere to health and safety regulations, electrical equipment safety regulations, and environmental protection regulations valid in the country of use and at the installation site.
- Adhere to national and local regulations during installation and commissioning.
- Always protect the instrument against moisture and humidity. It should never come into contact with condensation or splash water.
- Do not carry out any changes or actions at the instrument which are not described in these instructions; failure to adhere to these instructions will negatively affect any warranty claims that you make thereafter.





## Installation

- Always completely disconnect the relevant plant part before installing the instrument or connecting/disconnecting it to/from the power supply. Secure the plant against reconnection.
- Only connect the instrument to the mains voltage specified on the rating plate.
- Always observe technical data and ambient parameters.
  
- Testomat 2000® Fe requires an interference free and stable power supply. If necessary, use a mains filter to protect Testomat 2000® Fe against interference voltages caused, e.g., by solenoid valves or large motors. Never lay connecting cables parallel to power cables.

## Operation

- Ensure that the maximum electrical load capacity of the relay outputs is never exceeded.
- Immediately switch off Testomat 2000® Fe and contact service staff if malfunctioning occurs. The warranty will be void if you tamper with or attempt to repair Testomat 2000® Fe. Repairs must be carried out by authorised service staff.

## After switch-off and longer downtime

- Ventilate the indicator leads as described in the start-up, because longer downtimes (more than 6 hours) can cause the indicator in the leads to retract.
- Do not switch off the appliance for longer periods (e.g. over the weekend) via the start/stop output. The indicator can retract from the leads. This results in measurement errors after the appliance is switched on.

## Cleaning

- Only use a dry, lint-free cloth for cleaning.

## De-installation

- Prior to de-installing a defective instrument, always write down a description of the error (failure effect). It is only possible to repair a defective instrument (irrespective of the warranty period) if it has been de-installed and returned to us with a description of the error.
- Please also inform us of the measured medium. Before you return the instrument for repair work, remove the reagent bottles and ensure that the measuring chamber has been flushed out and is empty.

## Disposal

- Dispose of the instrument in accordance with national regulations.

## Scope of delivery

1x Testomat 2000® Fe

1x plastic bag with two screw caps with a hole and inserts for the screw caps of the reagent bottles

1x operating instructions

## Performance specifications

The process photometer Testomat 2000® Fe is used for automatically monitoring the dissolved iron content (II)+(III) from 0 to 1.0 mg/l using a colourimetric analysis principle. Analysis is carried out by adding two reagents.

- Simple, menu-driven operating and programming via a plain text display
- High measuring accuracy provided by a precise piston-dosing pump
- Range I: 0 - 0.65 mg/l, resolution: 0.01 mg/l  
Range II: 0.7 – 1.0 mg/l, resolution 0.1 mg/l
- Analysis initiation:
  - Automatic interval operation  
(interval pause can be set from 0-99 minutes)
  - External control
  - Dynamic (exhaustion-dependent interval operation)
  - Quantity dependent via impulse water meter
- Two independent limit values with hysteresis (1, 2 or 3 bad analyses) and settable switch functions
- Monitoring of two measuring points (change-over via external solenoid valves)
- Internal error documentation
- Programmable service address
- Programmable maintenance interval for a maintenance request
- Extended operating periods due to 500 ml reagent storage bottle
- **Optional**
  - Interface card (0/4-20 mA or 0/2-10 V) or
  - Interface card RS232 (for a protocol printer)
  - SD Card datalogger

## Application instructions

- Wait at least 5 seconds before switching the instrument on and then off again at the main switch.
- Trouble-free operation of Testomat 2000® Fe is only possible when using Heyl Testomat 2000® reagents FE2005A and FE2005B! Faults or problems resulting from the use of other reagents will not be accepted as a warranty or fair dealing claim.
- Larger quantities of heavy metal ions in the water influence the colour reaction, especially copper above 0.1 mg/l and aluminium above 0.1 mg/l. Measurement is possible in the pH range 4 – 10.5. The concentration of influencing contents can be determined by using our colourimetric TESTOVAL® test kits.
- Only use Testomat 2000® Fe for its intended purpose.
- Careful handling of the instrument increases both its operational reliability and service life! Therefore, carry out a visual inspection at regular intervals as described below:
  - Are the hose connections of the dosing pump free of leaks?
  - Is there air inside the dosing hoses?
  - Are all the water connections free of leaks?
  - Are the doors of the instrument closed properly?
  - Is the instrument heavily soiled?
  - Are the measuring chamber and the drain duct/drain hose clean?
- Trouble-free operation is only possible when maintenance is carried out on a regular basis! For maintenance and service instructions, please refer to the section entitled "Maintenance" and the "Maintenance manual of Testomat 2000®/Testomat ECO®".
- If problems occur, please refer to the section entitled "Error messages/Troubleshooting".



---

### **No opening of the measuring chamber holder!**

Do not open the measuring chamber holder. You cannot carry out any repairs in this area, but damage the device. If you open the measuring chamber holder, your warranty will expire.

---



## Installation



**WARNING**

### Risks resulting from incorrect installation!

- Install Testomat 2000® Fe at a location where it is protected against dripping or splash water, dust and aggressive substances – e. g. in a switch cabinet or on a suitable wall.
- Only authorised technicians should carry out installation and commissioning!



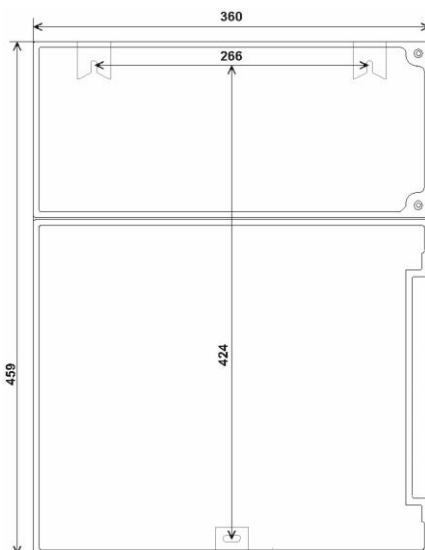
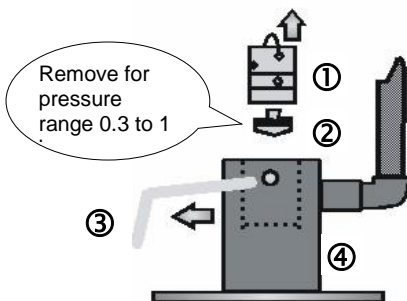
**NOTE**

### Information for trouble-free operation

- Install the instrument vertically and without mechanical stress.
- Install the instrument at a vibration-free site.

### Operating Testomat 2000® Fe in the pressure range 0.3 to 1 bar

Prior to installation, please check whether lower operating pressure is required. The instrument is factory set for the operating range 1 to 8 bar. Remove the flow controller valve body ② to operate the instrument in the operating range 0.3 to 1 bar (e.g. when using a type R aerator). This involves removing the retaining pin ③ from the controller / filter receiver ④. Subsequently use the metal bracket to remove the controller plug ① from the borehole. Subsequently remove the flow controller valve body ② and reinsert the controller plug and the retaining pin.



### Installing Testomat 2000® Fe

Select an installation site where the water inlet hose can be kept as short as possible (max. 5 m).

- Please leave sufficient space on the left-hand side of the instrument to open the door.
- Drill the mounting holes as shown in the drawing on the left.
- Use three screws to attach the instrument at a suitable position in the switch cabinet or on a wall.

## Connecting the water inlet and outlet

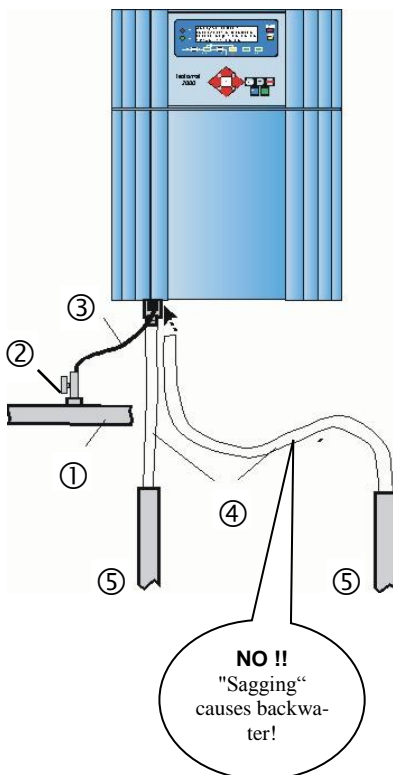
### NOTE

#### Information for trouble-free operation

- The water pressure must be between 0.3 bar and 8 bar.
- Avoid strong pressure fluctuations.
- The measuring water temperature must be between 10°C and 40°C. Higher water temperatures can damage the parts which come into contact with the water (e.g. filter housing, measuring chamber)!
- For temperatures above 40°C, install the KCN type cooler in the branch line of Testomat 2000® Fe.

#### Water inlet

Equip the sampling line to Testomat 2000® Fe with a manually operated shut-off valve and keep it as short as possible (the max. length of 5 metres should not be exceeded). The instrument is equipped with a plug connector for opaque plastic hoses 6/4 x 1 (external diameter 6 mm/internal diameter 4 mm, wall thickness 1 mm) as standard.



- Install the connection for the branch line of Testomat 2000® Fe directly at the main water line ①.
- It is important that the branch line connection is laid vertically upwards in order to prevent dirt particles from entering the instrument from the main water line.
- Install a manually operated shut-off valve ② in the branch line to Testomat 2000® Fe.
- Use an opaque plastic hose 6/4 x 1 (max. length 5 m) for the water inlet ③
- Flush the inlet to remove any dirt particles.

When operating within a pressure range of 0.3 to 1 bar or with a supply via a booster pump, please remove the valve body from the controller and the filter housing. The pump should have a feeding capacity of between 25 and 35 litres/hour and be resistant to the medium being measured.



### CAUTION

#### When using a cooler

- The hot water can cause burns and damage wetted parts of Testomat 2000® Fe.

#### Water outlet

The feed water flows through the measuring chamber to the drain via the outlet hose.

- Connect the outlet connection of Testomat 2000® Fe to an outlet hose ④ (internal diameter 12 mm).
- Lay this hose without **backwater development** and any syphoning effect, e.g. via an open funnel, to the drain ⑤.

## Connecting the power supply and devices



### WARNING

#### Risk of electric shocks during installation!

If the power supply is not disconnected prior to installation, it may result in personal injuries, destruction of the product or damage to plant parts.

- Always disconnect the relevant plant parts before installing Testomat 2000® Fe.
- Only use tested cables with sufficient cross-sections for the connections.

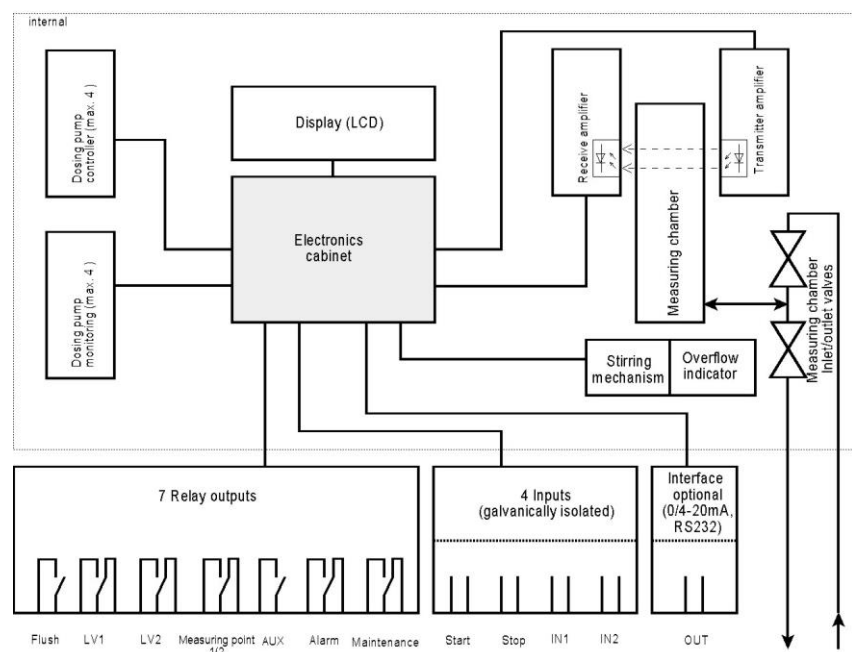
### NOTE

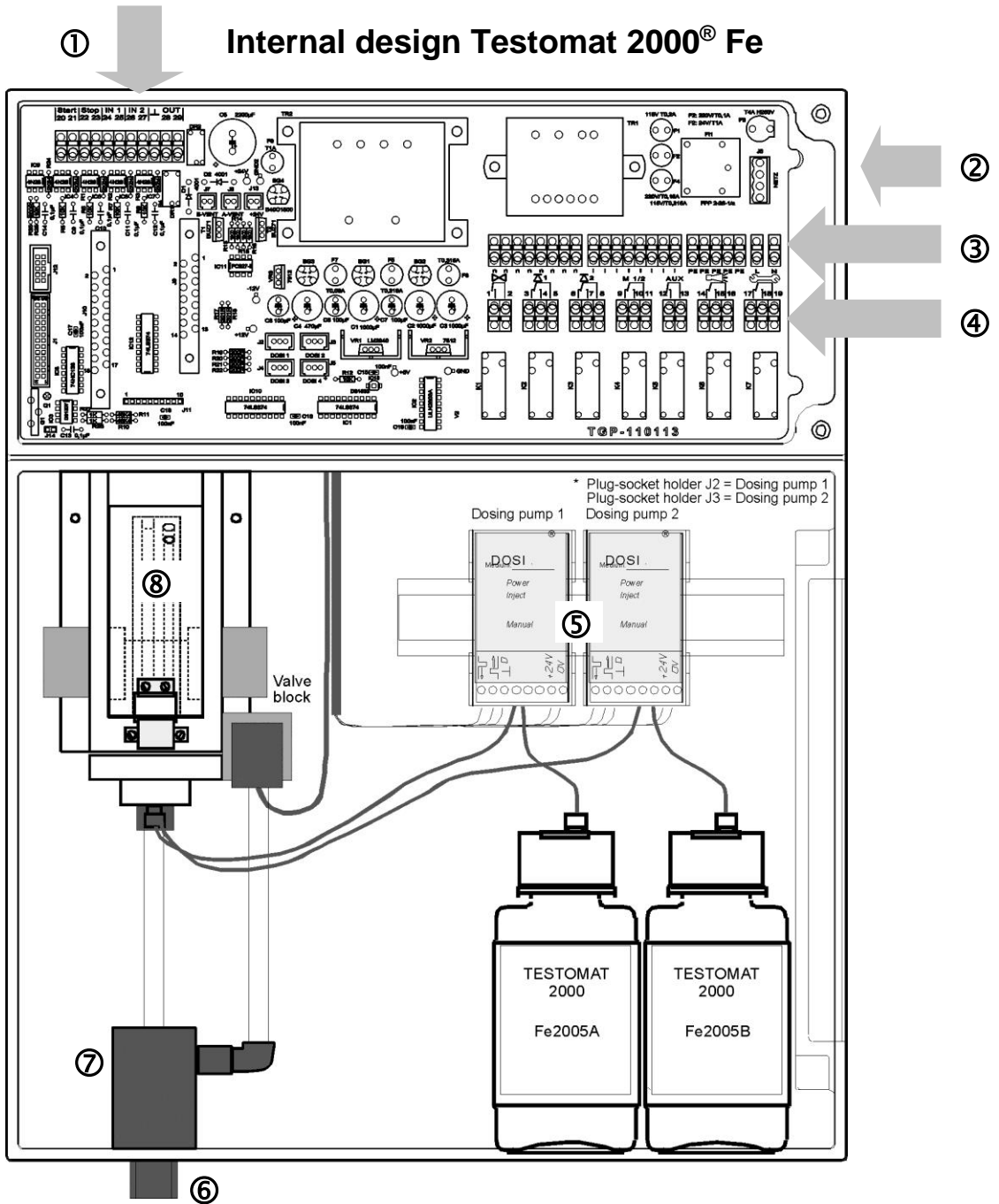
#### Risk of damages caused by electromagnetic fields!

- If Testomat 2000® Fe or the connecting cables are installed parallel to power cables or in close proximity to electromagnetic fields, the instrument may be damaged or measurements may be incorrect.
- Ensure that connecting cables are as short as possible.
- Always install connecting cables and power cables separately.
- Connect the instrument to the protective earth conductor (for 230/115 VAC).
- Protect Testomat 2000® Fe against interference voltages – e.g. via a mains filter.
- Shield the instrument against strong electromagnetic fields.

## Block diagram Testomat 2000® Fe

Drawn relay positions: Instrument de-energised

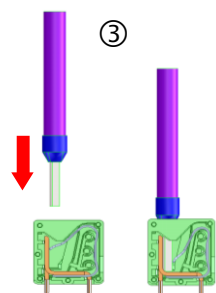
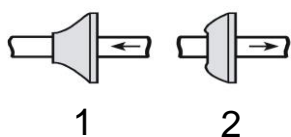




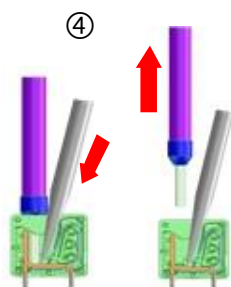
<b>1</b>	Terminal block for inputs Start, Stop, IN1, IN2, and output OUT
<b>2</b>	Mains switch
<b>3</b>	Terminal block for mains inputs and mains outputs
<b>4</b>	Terminal block relay outputs
<b>5</b>	Dosing pumps
<b>6</b>	Water connections, inlet and outlet
<b>7</b>	Flow controller
<b>8</b>	Measuring chamber

## Connecting the mains voltage

Only connect the instrument to the specified mains voltage. Refer to the rating plate for the appropriate mains voltage. Connect the cables as follows:



Insert the conductor with ferrule or the solid conductor into the round cable input.

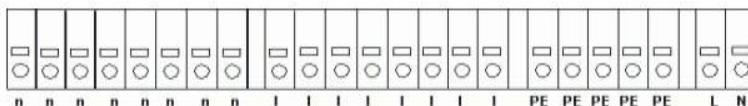


1. Insert a screwdriver into the square opening without force in order to open the terminal.
2. Once the terminal has been opened, remove the conductor.

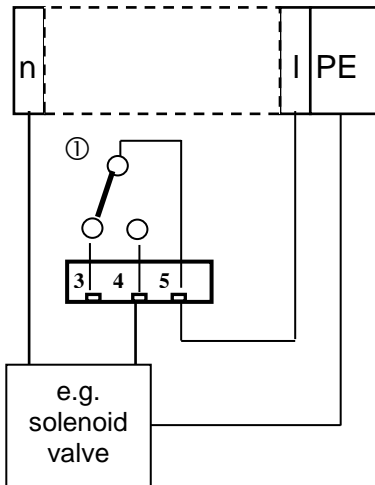
- Loosen both fastening screws ① and open the upper door. The terminal box is now accessible.
- Pierce the required rubber cable glands ② with a screwdriver and insert the cable through the bush into the terminal box (1).
- Subsequently pull back the cable until the bush has been turned over (2).
- Connect the power supply to terminals PE,N,L or for 24 V instruments to terminals U, V
- Connect the conductor to the terminal block as shown on the left ③.
- Ensure that the leads are held securely in the terminals.
- Proceed as shown in figure ④ to loosen the connection.

### Terminals

Terminal description	Type	Function	Comment
PE	IN	Protective earth conductor (5x)	Only for mains 115/230 V !
N (U) L (V)	IN	Mains, N=neutral conductor (U=24 V) Mains, L=phase (V=24 V)	Mains input 24 V / 115 V / 230 V
n I	OUT	Neutral, switched (8x) Phase, switched (8x)	Mains for consumers, max. 4 A



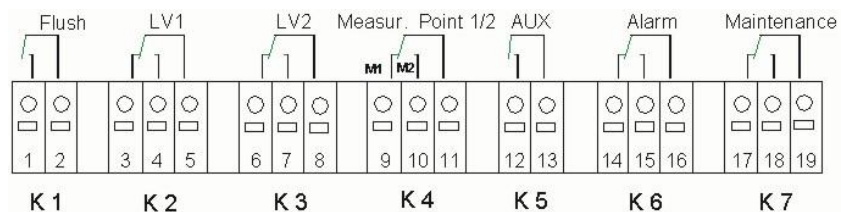
Connection example  
Limit value contact LV 1  
switches mains voltage



### Connecting the plant components

- Connect the plant components to the output terminals of relays 1 to 19 (e.g. valves)
- If the plant components require mains voltage, connect the switched mains voltage (I) to the common contact ① of the respective relay (see the connection example for 230 VAC on the left)
- Connect the neutral conductor of the plant component to one of the terminals (n)
- For components with a protective earth conductor connection, connect it to the PE connection
- Ensure that the leads are held securely in the terminals

No.	Terminal description	Type	Function	Comment
1 2	<b>Flushing</b>	OUT	External flush valve	Volt-free relay output, max. 240 VAC, 4 A
3 4 5	<b>LV1</b>	OUT	Limit value output 1 – Normally closed Limit value output 1 – Normally open Limit value output 1 – Common	Volt-free relay output, max. 240 VAC, 4 A
6 7 8	<b>LV2</b>	OUT	Limit value output 2 – Normally closed Limit value output 2 – Normally open Limit value output 2 – Common	Volt-free relay output, max. 240 VAC, 4 A
9 10 11	<b>Measuring point 1/2</b>	OUT	Measuring point 1 – Normally closed Measuring point 1 – Normally open Measuring point switch-over - Common	Volt-free relay output, max. 240 VAC, 4 A
12 13	<b>AUX</b>	OUT	Universal output	Volt-free relay output, max. 240 VAC, 4 A
14 15 16	<b>Alarm</b>	OUT	Fault message output – Normally closed Fault message output – Normally open Fault message output – Common	Volt-free relay output, max. 240 VAC, 4 A
17 18 19	<b>Maintenance</b>	OUT	Maintenance message – Normally closed Maintenance message – Normally open Maintenance message – Common	Volt-free relay output, max. 240 VAC, 4 A

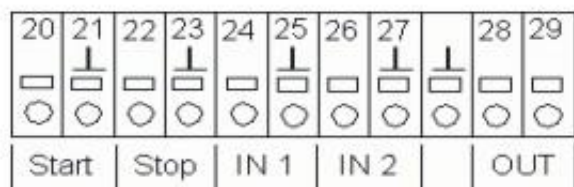


## Connecting the inputs and outputs

Testomat 2000® Fe has the following connections for control and monitoring functions.

- Do not connect external voltage to these connections!
- Ensure that the leads are held securely in the terminals.
- Use the two fastening screws to close the upper door once installation has been completed.

No.	Terminal description	Type	Function	Comment
20 21	<b>Start</b>	IN	External analysis start Common earth for inputs	Only for volt-free normally open
22 23	<b>Stop</b>	IN	External analysis stop Common earth for inputs	Only for volt-free normally closed/normally open!
24 25	<b>IN1</b>	IN	Universal input 1 Common earth for inputs	Only for volt-free normally closed/normally open!
26 27	<b>IN2</b>	IN	Universal input 2 (water meter) Common earth for inputs	Only for volt-free normally open
⊥ 28 29	<b>OUT</b>	OUT	Earth 0/4 - 20 mA galvanically separated or serial interface RS232	Earth = ⊥ 28 = (+) or (TxD) 29 = (-) or (RxD)



For more information, please refer to the section entitled "Description of the signal inputs/outputs".

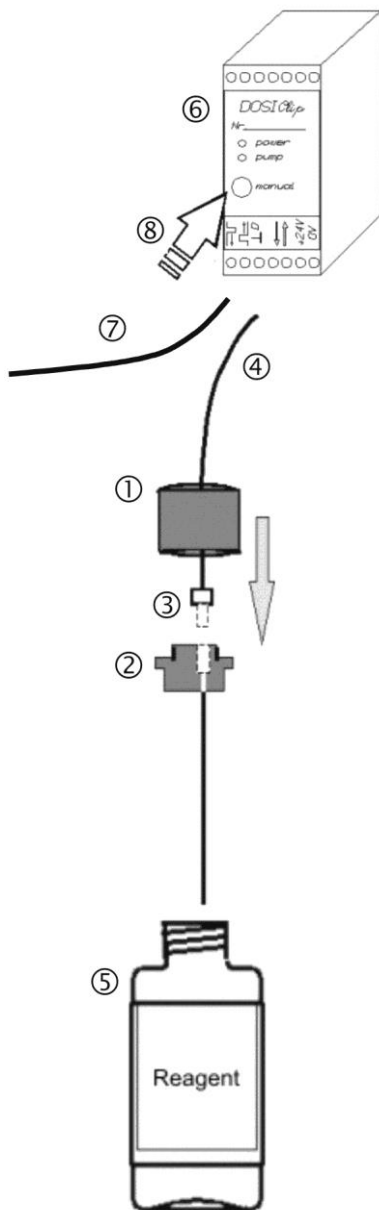
# Commissioning



**CAUTION**



**NOTE**



## Handling reagents

- Please adhere to the respective safety data sheet!
- Trouble-free operation of Testomat 2000® Fe is only possible when using Heyl Testomat 2000® reagents FE2005A and FE2005B!

- **Caution:** Observe correct allocation of the reagents A and B to the dosing pumps: A = left, B = right!

## Inserting reagent bottles

- Open the lower housing door by pulling on the right-hand side.
- Remove the cap from the reagent bottle.
- Remove the plastic bag from inside the lower housing door. The plastic bag contains the screw cap with hole ① and the insert ② for the screw cap.

Connect the parts as shown on the left.

- Screw the hose connector ③ of the intake hose ④ hand-tight into the insert ②.
- Place the insert with the screwed-in intake hose into the reagent bottle.
- Now screw the screw cap with hole ① hand-tight onto the reagent bottle ⑤.

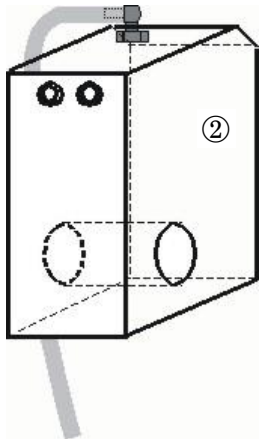
## Filling the reagent

- Switch the instrument on and press the "STANDBY" key.
- During operation, the pumps (DOSIclip) ⑥ automatically extract the reagents.
- To ensure that reagent is available for the initial analyses, the intake hose ④ and the transport hose ⑦ must be filled with reagent from the pump up to the measuring chamber.
- Press the "manual" key ⑧ several times until the intake hose ④ and the transport hose ⑦ are filled with reagent up to the measuring chamber.
- If necessary, manually tighten the hose connectors of the intake and transport hose slightly in case of bubble formation.

## Opening the water inlet

- Open the lower housing cover.
- Slowly open the manually operated shut-off valve to prevent the measuring chamber overflowing. The flow regulator requires a few seconds to function correctly.
- Make sure that the water conducting parts are not leaky.





①

- If water sprays from the vent hole ① of the measuring chamber ②, reduce the amount of inlet water via the manually operated shut-off valve. It should take 2 to 6 seconds to fill the measuring chamber!

### Instrument settings and data input

- Please read the following information before carrying out settings and entering data for operating the instrument.

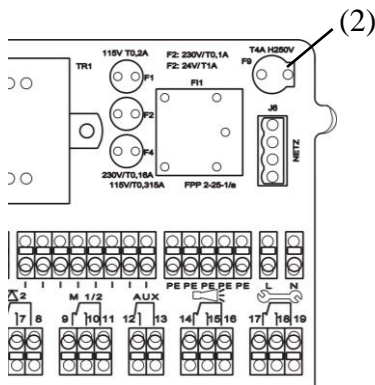
## Functions of the operating and display elements

The Testomat 2000® Fe display shows operating statuses and measured values. The input keys for programming (cursor block) and the function keys are located underneath the display.

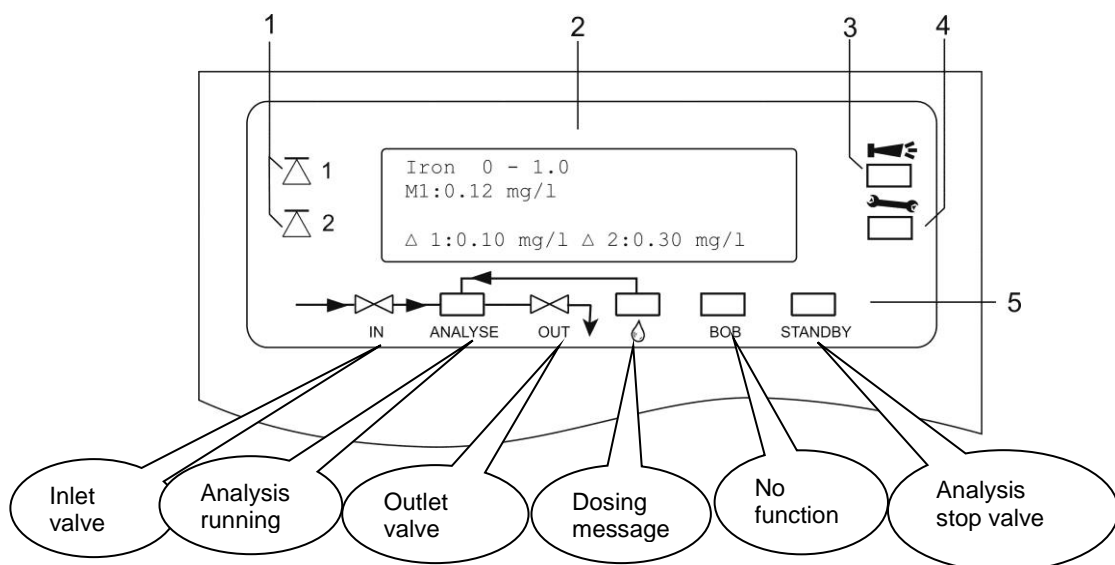


### Switching Testomat 2000® Fe on/off

- (1) Mains switch  
Use this switch to switch the instrument on or off.
- (2) Instrument fuse (inside the instrument)  
This fuse protects the instrument and the outputs against overloads and short circuits.



## Display functions



All error and warning messages are alternately shown in line 1 of the standard display!

### 1 Status of limit value displays (red/green)

The display 1 illuminates red if limit value 1 has been reached or exceeded. The display 1 illuminates green if the value falls below the limit value. The same principle applies to limit value 2 and display 2.

### 2 Text display (4 lines)

Displays the current analysis result as well as all important statuses and programming data

**2a** = The current measured value for measuring point 1 (M1:) and 2 (M2:) is displayed in line 2 and 3.

Value exceeds the measuring range = ">" e.g. M1: > 1.0 mg/l

**2b** = The set limit values LV1 and LV2 are displayed in line 4.

### 3 Alarm (red)

Indicates malfunctioning/error message or warning message.

### 4 Maintenance message (yellow)


Indicates current maintenance requests

### 5 Status display of the active instrument components (line)

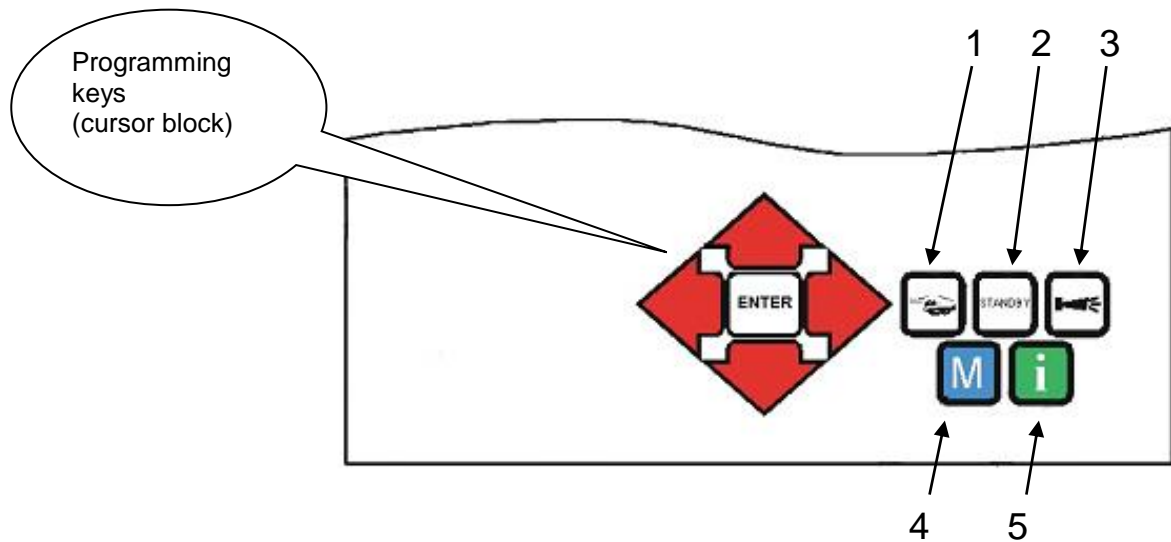
Six displays indicate the current instrument and analysis status

## NOTE






### Cancelling error messages/warning messages

Press  to acknowledge the message and, if necessary, eliminate the cause of the fault.

## Operating elements and function keys



### Function keys

	Manually start an analysis via the " <b>Manual</b> " key (1).
	Set the instrument to standby mode via the " <b>STANDBY</b> " key (2) (automatic analyses are not carried out: analysis stop)
	Acknowledge error and warning messages via the " <b>Horn</b> " key (3).
	Open the program menu for user-specific and instrument-specific settings via the " <b>M</b> " key (4).
	Retrieve all instrument information and settings via the " <b>i</b> " key (5).

(M)enu key



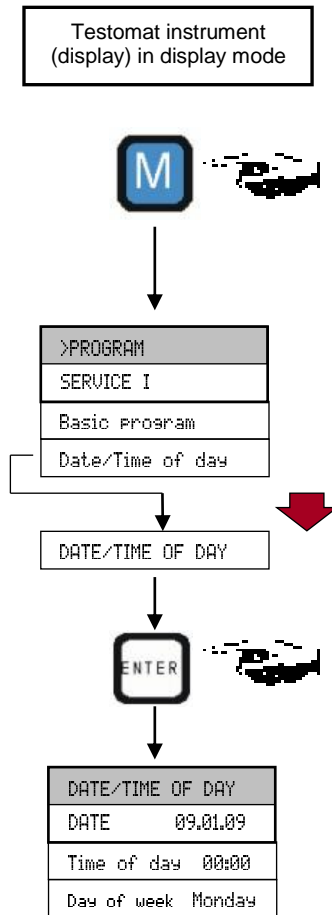
Cursor block



If you wish to carry out settings or enter data, or if alterations are necessary, press the "**M**" key to open the programming mode. Use this key when *in the menu* to go to the higher order menu items or to exit the programming mode. Please note: The basic program is password protected!

### Programming keys (cursor block)

Use the programming keys (cursor block) to navigate in the menu, to select the desired functions and to enter necessary instrument and plant specific data. Press the "ENTER" key to select the submenu item and to confirm and accept the selection or data input.



## Operating system

Instrument settings and data input

Date, time and weekday input

- Press the "M" key  
The basic menu ">PROGRAM" appears
- Use the cursor block to select the desired menu item "Date / Time of day"  
The selection appears in CAPITAL LETTERS.

- Press "ENTER" to confirm your selection  
The selected submenu ">DATE / TIME OF DAY" appears.  
The menu item "DATE" has already been selected (capital letters).

- Press "ENTER" to confirm the menu item "DATE".  
The cursor flashes in the date field: "09.01.09"

Use the cursor keys to select the desired number.

- Use the keys to move the cursor to the next input field.
- Repeat this input process until the year has been entered.
- Press "ENTER" to confirm the entry.  
The date has now been entered.

Exit the menu item "DATE" in order to set the time.

- Use the cursor block to select the desired menu item "TIME OF DAY".
- Press "ENTER" to confirm your selection.

The cursor flashes at the first position of the time: "00:00"

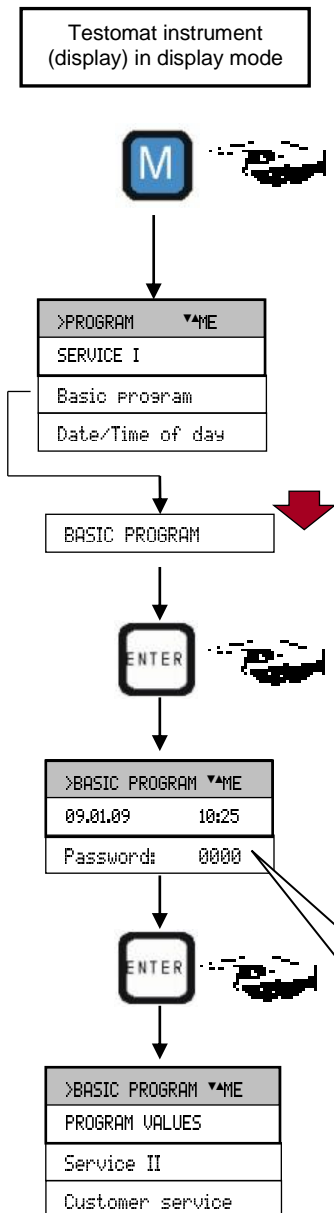
Use the cursor keys to select the desired number.

- Use the keys to move the cursor to the next input field.
- Repeat this input process until the seconds have been entered.
- Press "ENTER" to confirm the entry.  
The time has now been entered.

Exit the menu item "TIME" to set the weekday.

- Use the cursor block to select the desired menu item "DAY OF WEEK".
- Press "ENTER" to confirm your selection.
- Use the cursor block to select the current weekday.
- Press "ENTER" to confirm the entry.
- Press the "M" key twice to end programming.

The standard measured value display appears on the display



**Time controlled**  
Internal start via a timer.

## Password protection and basic program

A four-digit password is required to enter data and to carry out settings in the basic program. The password is the current time of Testomat 2000® Fe in reverse order.

### Password entry

- Press the "M" key.  
The basic menu ">PROGRAM" appears.
- Use the cursor block to select the desired menu item "Basic Program".  
The selection appears in CAPITAL LETTERS.
- Press "ENTER" to confirm your selection.  
The selected submenu ">BASIC PROGRAM" appears.
- Press "ENTER" to confirm the menu item "BASIC PROGRAM".  
The cursor flashes in the "Password:" field.
- Use the cursor keys to enter the time in *reverse order*: "5201"
- Press "ENTER" to confirm the entry

The selection menu for the basic program appears. You can now enter the plant specific data.

## Entering basic program data

### Selecting the operating mode

Under the menu item "Mode of operation", it is possible to select the type of analysis controller. Testomat 2000® Fe provides numerous selection options: Time control, quantity control via water meter, dynamic analysis start and external analysis start.

Shortest interval = 0 minutes between analyses. Largest interval = 99 minutes.

The analysis interval (time between two analyses) is determined by the duration of the supplementary program AUX, the set flush times (internal and external), the programmed interval and the duration of the analysis. The analysis duration depends **directly** on the measured value.

MODE OF OPERATION ▼▲ME
TIME-CONTROLLED *
Volume interval
Dynamics
External (Start)

FLUSH TIMES/INTERV. ▼▲ME
INTERNAL FLUSH TIME 00s
External flush time 00s
Interval pause 01m

### Selecting the time control

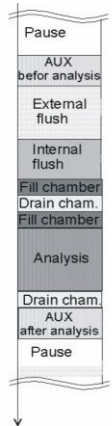
- In the >BASIC PROGRAM menu, select  
=> PROGRAM VALUES=> MODE OF OPERATION=> TIME CONTROLLED
- Press "ENTER" to confirm the selection  
(An asterisk " \* " appears at the end of the line)  
("TIME CONTROLLED" " \* " is preset)

Enter the interval pause and the flush times

- In the >BASIC PROGRAM menu, select  
=> PROGRAM VALUES=> FLUSH TIMES/INTERV.  
=> INTERVAL PAUSE
- Enter the "INTERVAL PAUSE" in minutes (m)  
(1 minute is preset)
- Enter the "INTERNAL FLUSH TIME" in seconds (s)  
(00 seconds (s) is preset)
- Enter the "EXTERNAL FLUSH TIME" in seconds (s)  
(00 seconds (s) is preset)
- Press "ENTER" to complete all the entries

### Analysis interval

Sequence of times



**NOTE**

### Duration of the analysis interval

- The analysis interval is the addition of the "AUX before/after analysis", "Internal flush" and "External flush" times and the measuring value dependent analysis duration (see diagram on the left).

**Volume control**  
Start via water meter

Minimum interval = 1 litre, maximum interval = 9999 litres. The analysis is carried out once the programmed water quantity has been measured. The line and the measuring chamber are flushed prior to the analysis (observe the programmed flush times).

MODE OF OPERATION ▼▲ME
TIME-CONTROLLED
Volume interval *
Dynamics
External (Start)

>VOLUME INTERVAL ▼▲ME
0001

### Selecting the volume control

- In the >BASIC PROGRAM menu, select  
=> PROGRAM VALUES=> MODE OF OPERATION=> VOLUME INTERVAL
- Press "ENTER" to confirm the selection  
(An asterisk " \* " appears at the end of the line)

The >VOLUME INTERVAL menu appears

- Enter the respective flow rate in litres  
Press "ENTER" to confirm the entry

>WATER METER	▼▲ ME
1 Litre/Impulse	
2.5 Litre/Impulse	
5 Litre/Impulse	
10 Litre/Impulse	
100 Litre/Impulse	*
500 Litre/Impulse	
1000 Litre/Impulse	

**Selecting the type of water meter**

- Select the >BASIC PROGRAM menu  
=> PROGRAM VALUES=> WATER METER
- Select the water meter constant (litre/impulse)  
(100 litres/impulse " \* " is factory set)
- Press "ENTER" to confirm the selection

**Volume control/  
Time priority**

The analysis is carried out once the programmed water quantity has been measured. An analysis is always started with higher priority when the programmed interval time has been reached.

MODE OF OPERATION	▼▲ ME
TIME-CONTROLLED	
Volume interval	*
Dynamics	
External (Start)	

**Selecting the quantity control/time priority**

- The process is the same as for "Selecting the time control"
- The process is the same as for "Selecting the quantity control"
- Press "ENTER" to confirm all the entries

**Dynamic  
analysis start**  
  
Filter capacity dependent  
control of the analysis interval

**Dynamic analysis start:** Depending on the exhaustion of the de-ironing plant, the interval period automatically decreases when the residual capacity of the plant decreases. This involves the amount of water used by the plant being determined. The start interval is reset when limit value 1 or 2 is exceeded or via a signal at input IN1 (re-generation message from the process controller/filter controller)

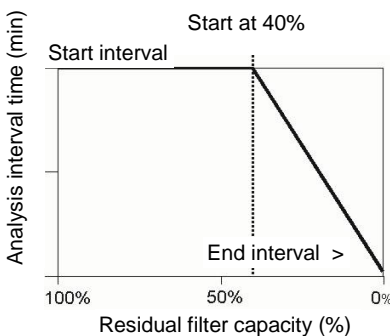
>DYNAMICS	▼▲ ME
CAPACITY	0020m <sup>3</sup>
Start at	50%
Start interval	30m
End interval	03m
Limit value 1:	*
Limit value 2:	
INI:	

**Selecting dynamic start**

- In the >BASIC PROGRAM menu, select  
=> PROGRAM VALUES=> MODE OF OPERATION=> DYNAMICS
- Press "ENTER" to confirm the selection

The menu on the left appears

- Enter the "CAPACITY" of the plant in m<sup>3</sup>
- Enter the start of dynamic mode as a percentage (%) of the capacity under "Start at"
- Enter the analysis interval in minutes (m) that is desired for the start of dynamic mode under "Start interval"
- Enter the analysis interval in minutes (m) that is desired for the end of dynamic mode under "End interval"
- Select the type of reset to the start interval either via "Limit value 1", "Limit value 2" or "INI"
- Press "ENTER" to confirm the entry  
(An asterisk " \* " appears at the end of the line)



**External analysis start**

**External analysis start**

An external analysis start occurs via a contact at the start input.

**NOTE**

---

The current analysis interval can be interrupted by triggering a contact at the stop input.

---

>DISPLAYED UNIT	▼▲ME
DISPLAY in mg/l	*
Display in PPM	

**Selecting the displayed unit**

It is possible to program the unit of the displayed value. mg/l and ppm can be selected. All the following inputs and displays will be displayed in the programmed unit.

- In the >BASIC PROGRAM menu, select  
=> PROGRAM VALUES=> DISPLAYED UNIT
- Select the desired unit
- Press "ENTER" to confirm the selection



## Entering further basic program data

For selecting and entering data for these functions, please proceed as described under "Entering basic program data".

### Internal flushing

To ensure that the analysed sample represents the current value, the sampling line must be sufficiently flushed. If the plant has been out of operation for a longer period or in case of long analysis intervals, we recommend you to select a flushing time greater than 60 seconds. Flushing starts by simultaneously opening the inlet and outlet valve of Testomat 2000® Fe.

#### NOTE

>FLUSH TIMES/INTERVAL ▼▲ ME
INTERNAL FLUSH TIME 000s
External flush time 00s
Interval pause 01m

#### Duration of the analysis interval

- The analysis interval depends directly on the programmed flushing time. If, e.g., a flushing time of 90 seconds has been set, the actual analysis interval cannot be less than 90 seconds.

- In the >BASIC PROGRAM menu, select  
=> PROGRAM VALUES=> FLUSH TIMES/INTERVAL
- Enter the "INTERNAL FLUSH TIME" in seconds (s)
- Press "ENTER" to confirm the entry

#### NOTE

#### Setting the internal flushing time

- For connections longer than 3 m and with an internal hose diameter of 6 mm, a minimum internal flushing time of 10 seconds is required to ensure that a valid sample is taken from the sampling line. The required quantity of flush water for one-minute internal flushing is 0.5 litres.

### External flushing

If very short analysis intervals are required, or if a very long (several metres) sampling line or a line with a large diameter is used, an external flush valve should be installed upstream of Testomat 2000® Fe. The external flush valve has to be connected to the "Flush" outlet. If the unit is used for monitoring two measuring points, external flushing prevents incorrect measurements caused by sample mixing. The external flushing time for the valve depends, just as the flushing time for unit flushing does, on the length and diameter of the supply line to Testomat 2000® Fe.

>FLUSH TIMES/INTERVAL ▼▲ ME
INTERNAL FLUSH TIME 000s
External flush time 00s
Interval pause 01m

- In the >BASIC PROGRAM menu, select  
=> PROGRAM VALUES=> FLUSH TIMES/INTERVAL
- Enter the "EXTERNAL FLUSH TIME" in seconds (s)
- Press "ENTER" to confirm the entry

## Interval pause

If the analysis is started via a timer, the interval between two analyses (plus flushing time) is determined by the interval pause. The shortest interval can be 0 minutes. In this case, analyses are carried out continuously. The longest interval is 99 minutes.

>FLUSH TIMES/INTERVAL ▼▲ME	
INTERNAL FLUSH TIME	000s
External flush time	00s
Interval pause	01m

- In the >BASIC PROGRAM menu, select  
=> PROGRAM VALUES=> FLUSH TIMES/INTERVAL
- Enter the "INTERVAL PAUSE" in minutes (m)
- Press "ENTER" to confirm the entry

## Limit value monitoring

It is possible to program the limit values on a continuous scale. The limit value range depends on the programmed unit. Two limit value outputs are available for monitoring. This ensures that two limit values or two measuring points can be monitored. The functions of the allocated relay outputs can be programmed independently of each other.

Monitoring of two limit values


If the unit is used for monitoring two *limit values*, the limit value outputs are permanently allocated to these limit values!

 1 LV1 = Limit value 1       2 LV2 = Limit value 2

Monitoring of two measuring points

If the unit is used for monitoring two *measuring points*, the limit value outputs are permanently allocated to these measuring points!

 1 LV1 = Measuring point 1       2 LV2 = Measuring point 2

If the limit value LV1 has been exceeded, the limit value control display  1 lights up RED and the relay output LV1 reacts as programmed in the switch function. If the limit value has not been exceeded, the display lights up GREEN. The same applies for the limit value LV2.

>LIMIT VALUES ▼▲ME	
LIMIT VAL. 1:	0.30 ms/l
Limit val. 2:	0.10 ms/l

- In the >BASIC PROGRAM menu, select  
=> PROGRAM VALUES=> LIMIT VALUES
- Enter the values for "LIMIT VAL. 1" or "LIMIT VAL. 2"
- Press "ENTER" to confirm the entry

Suppression of bad analyses

## Hysteresis

The respective limit value output only switches after the first, second or third bad analysis (suppression of the first or the second measured value). This increases the reliability of the analysis evaluation, e.g. after the measuring point has been switched over or if the sampling line has not been flushed sufficiently. The hystereses of the two outputs LV1 and LV2 can be set independently of each other.

A further analysis is carried out immediately after the limit value has been exceeded for a hysteresis of "2". The respective output is only switched after the limit value of this analysis has been exceeded for a second time. With a hysteresis of "3", the respective output only switches when the limit value of this analysis has been exceeded for a third time. This setting is only reactivated once the value has fallen below the limit value!

(The basic setting for LV1 and LV2 is "1")

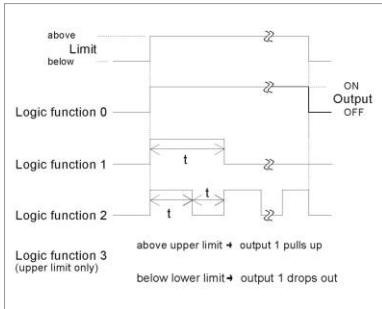
HYSTERESIS LV1 ▼▲ME	
Analysis (1,2,3)	1

HYSTERESIS LV2 ▼▲ME	
Analysis (1,2,3)	1

- In the >BASIC PROGRAM menu, select  
=> PROGRAM VALUES=> HYSTERESIS LV1 or HYSTERESIS LV2
- Enter the number of analyses
- Press "ENTER" to confirm the entry

## Switch functions of the limit value outputs LV1 and LV2

Schematic representation of logic functions



### Switch function 0, duration

If the limit value LV1 or LV2 has been exceeded, the output relay LV1 or LV2 switches. If the measured value falls below the limit value LV1 or LV2 without locking, the relevant relay drops out again.

### Switch function 1, impulse

If the measured value exceeds the limit value LV1 or LV2, the relevant output switches for a settable time (t).

The respective output always remains switched for the set time, irrespective of how long the limit value has been exceeded. A new impulse is only possible once the value has fallen below the limit value!

### Switch function 2, interval

If the limit value has been exceeded, the respective output switches at intervals with the settable time (t) = impulse or interval as long as the limit value is exceeded. The switching on times and the intervals are the same.

### Switch function 3, two-point

If the upper limit value LV1 has been exceeded, the output relay LV1 switches. If the value falls below the lower limit value LV2, the output relay LV1 drops out again. The output relay LV2 switches according to the programmed switch function.

>FUNCTION LV1	▼▲ ME
DURATION	*
Impulse	
Interval	
Two Point	
Time:	00m:10s

>FUNCTION LV2	▼▲ ME
DURATION	*
Impulse	
Interval	
Time:	00m:10s

- In the >BASIC PROGRAM menu, select  
=> PROGRAM VALUES=> FUNCTION LV1 or FUNCTION LV2
- Select the duration, impulse, interval or two-point (only for LV1)
- Enter the time (only for switch function 1 and 2)
- Press "ENTER" to confirm the entry

The function 3 is only possible if different values are used for the limit values LV1 and LV2 with just **one** measuring point. For example, LV1 = 0.30 mg/l and LV2 = 0.20 mg/l.

## Function IN1

For dynamic analysis control or programmed plant monitoring, the back flushing message from the controller of the de-ironing plant must be connected to IN1 (volt-free contact required!). Program the active status of IN1 according to the output function of the controller.

>FUNCTION IN1	▼▲ME
NORMALLY OPEN CONTACT	
Normally closed contact *	

- In the >BASIC PROGRAM menu, select  
=> PROGRAM VALUES=> FUNCTION IN1
- Select a normally closed or normally open contact
- Press "ENTER" to confirm the entry

## Water meter

It is necessary to connect a water meter to **input IN2** for quantity-dependent analysis start, for dynamic analysis control and for monitoring the operation of the de-ironing plant (plant monitoring). Program the corresponding water meter rating.

>WATER METER	▼▲ME
1 LITRE/IMPULSE	
2.5 Litre/Impulse	
5 Litre/Impulse	
10 Litre/Impulse	
100 Litre/Impulse *	
500 Litre/Impulse	
1000 Litre/Impulse	

- In the >BASIC PROGRAM menu, select  
=> PROGRAM VALUES=> WATER METER
- Select the water meter rating
- Press "ENTER" to confirm the entry

## Plant monitoring

In order to monitor the plant, it is possible to determine a specific quantity of water at which the limit value should not be exceeded (LV1 or LV2).

Example: A "GOOD" quantity of 50 m<sup>3</sup> has been entered. If the quantity of water produced between two violations of the limit value is less than the programmed quantity of water, either an alarm or a message is triggered depending on the programming.

>PLANT CONTROL	▼▲ME
MIN.RES.QUANT.	0000m <sup>3</sup>
Limit val. 1:	0.30 m <sup>3</sup> /l
Limit val. 2:	0.10 m <sup>3</sup> /l

- In the >BASIC PROGRAM menu, select  
=> PROGRAM VALUES=> PLANT MONITORING
- Enter the "GOOD" quantity in m<sup>3</sup>
- Press "ENTER" to confirm the entry

The flashing error display "*Plant monitoring*" appears.

The quantity of water for plant monitoring is reset after exceeding LV1 or LV2, or via a signal at input IN1 (back flushing message from the process controller), or manually in the SERVICE II menu via the plant monitoring RESET.

Monitoring does not occur if 0 is entered for the quantity of water (min. GOOD quantity).

## Alarm / Message

>ALARM/MESSAGE		▼▲ME
REAGENT LOW LEVEL	A	A/M/-
Low water pressure	A	A/M/-
Mf. turbid	M	A/M
Ff. optics	A	A/M
Ff. dosing pump	A	A/M
Ff. outlet to drain	A	A/M
Mf. dirtiness	M	A/M
Power failure 24 V	A	A/M
Meas. Range exceeded	M	A/M/-
Plant control	M	A/M/-
Maint. int. exceeded	M	A/M/-

A=Alarm, M=Message  
 - = no action  
 Ff.=Function fault  
 Mf.=Measuring fault

The instrument is equipped with an alarm relay output for signalling faults. The events which mean a fault at the instrument or are intended to trigger a message, can either trigger an alarm "A" (continuous contact) or a message "M" (2-second impulse).

The faults are recorded and stored in the error history if the event has been programmed as an alarm or message. For example, if a low reagent level has not been programmed as an ALARM/MESSAGE, it is not registered in the error history. Up to 20 error messages are stored. A list of these errors can be opened in the information menu. The information stored per event is the time (day, month, year and hour) and the type of the error.

- In the >BASIC PROGRAM menu, select  
=> PROGRAM VALUES=> ALARM/MESSAGE
- Select the type of monitoring A=alarm, M=message or - = no action for the individual menu items
- Press "ENTER" to confirm the respective entry

**NOTE**

### Error messages

- All error messages are lost after a power failure!
- Certain instrument faults always trigger an alarm or a message (switching off is not possible)!

## Function AUX

The AUX relay output can be programmed for the following control functions:

- As a function output for the contact with programmable duration prior to and/or during the analysis, or after an analysis.

For example, it is possible to control the cooling water inlet of an upstream cooler via a solenoid valve. This ensures that the cooling water only flows when required, i.e. when an analysis is being carried out.

In the >BASIC PROGRAM menu, select

=> PROGRAM VALUES=> FUNCTION AUX

>FUNCTION AUX		▼▲ME
CONTACT BEFORE ANALYSIS *		
Contact during analysis		
Contact after analysis		
Time:	00m10s	

- Select the program step at which the AUX contact is to be activated
- Enter the contact duration in minutes (m) and seconds (s) under "Time"
- Press "ENTER" to confirm the entry

>SERVICE II	▼▲ ME
CALIBRATION	
Reset operating time	
Maintenance interval	
Water quantity	RESET
Plant control	RESET

## NOTE

## Service II

The service II menu contains various functions for monitoring the operation of the instrument:

Programming the maintenance interval, processing (resetting) internal data/settings, e.g. water quantity and plant monitoring.

### Use of the Service II menu

The functions in the Service II menu directly influence the operation and monitoring functions of the instrument!

- These tasks should only be carried out by trained and qualified staff.

## Calibration

Calibration can, e.g., be carried out to compensate for negative influences caused by foreign ions. A standard solution or the value of the sample water determined via a laboratory analysis is required for this. You can either determine the correction factor and enter it directly or carry out calibration with a standard solution. In the latter case, the correction factor is calculated by the Testomat.

>CALIBRATION	▼▲ ME
CALIBR. VALUE	0.35ms/l
Calibration	Start
Calibration factor	1.0

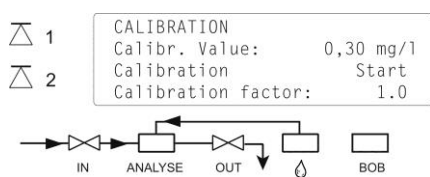
### Input of the correction factor from 0.10 to 2.00

- Carry out a current measurement and make a note of the measured value
- At the same time, take a water sample and check the measured value with a superior method
- Use the two values to determine the correction factor (laboratory value divided by the measured value Testomat 2000® Fe)
- In the >BASIC PROGRAM menu, select  
=> SERVICE II => CALIBRATION
- Select the menu item "CALIBRATION FACTOR"
- Press "ENTER" to confirm the selection
- Enter the determined calibration factor
- Press "ENTER" to confirm the entry

>CALIBRATION	▼▲ME
CALIBR. VALUE	0.35mg/l
Calibration	Start
Calibration factor	1.0

### Calibrating with standard solution

- In the >BASIC PROGRAM menu, select => SERVICE II => CALIBRATION
- Select the menu item "CALIBR. VALUE"
- Press "ENTER" to confirm the entry
- Enter the value of the standard solution
- Press "ENTER" to confirm the entry
- Stop the water supply to the instrument
- Remove the right-hand plug from the measuring chamber (the measuring chamber is manually filled with the standard solution through this borehole. Common laboratory spray bottles can be used for this.)



- Select the menu item "CALIBRATION START"
- Press "ENTER" to confirm the selection

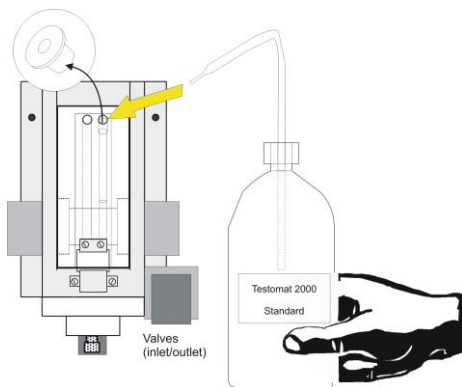
Testomat 2000® Fe starts with the analysis cycle. If a flushing time has been programmed, do not fill the measuring chamber until the output valve has closed ("OUT" LED extinguishes).

- When the "IN" LED lights up, fill the measuring chamber with the standard solution until it overflows as long as the "IN" LED illuminates.

The solution is then drained (flushing the measuring chamber).

- Once the output valve has closed ("OUT" LED extinguishes), refill the measuring chamber with the standard solution until it overflows.

The filling level falls to the intended sample volume. The measured value is determined and the correction value calculated. The factor is shown on the display.



**NOTE**

### Using the calibration function

- If data is entered incorrectly or calibration is carried out incorrectly with a standard solution, it will result in incorrect measured values!

If an error occurs during analysis, the error message "Calibration terminated" appears; a (new) factor is not calculated.



## Resetting the operating time

After replacing a dosing pump or the measuring chamber holder, it is possible to reset the current operating time to 0 hours:

>OPERATING TIME	▼▲ ME
000023h	
Reset.	

- In the >BASIC PROGRAM menu, select  
=> SERVICE II=> RESET OPERATING TIME
- Select "Reset" to reset the operating time
- Press "ENTER" to confirm the selection

The operating time "000000h" appears on the display

## Maintenance interval

Observance of the maintenance intervals is monitored and displayed by Testomat 2000® Fe. Program the desired maintenance interval in days here. (0 days equals no maintenance interval)

MAINTENANCE INTERVAL	▼▲ ME
000d	

- In the >BASIC PROGRAM menu, select  
=> SERVICE II => MAINTENANCE INTERVAL
- Enter the maintenance interval in days (d)
- Press "ENTER" to confirm the entry

## Water quantity RESET

Resets the currently stored water quantity. This has a direct effect on the plant monitoring and the dynamic analysis control.

>SERVICE II	▼▲ ME
RESET OPERATING TIME	
Maintenance interval	
Water quantity	RESET
Plant control	RESET

## Plant control RESET

Plant monitoring is only re-activated when the limit value is exceeded again.

- In the >BASIC PROGRAM menu, select  
=> SERVICE II => WATER QUANTITY or PLANT CONTROL
- Press "ENTER" to confirm the entry

## Description of the signal inputs/outputs



**CAUTION**

### Connecting the signal inputs

- Only connect the signal inputs "Start", "Stop", "IN1" and "IN2" with *volt-free* contacts!

The connection of external voltages would damage the instrument!

**Start**  
terminals 20,21

Function	Test time	Action
<b>Start</b> External analysis start (only normally open)	None	In the operating mode EXTERNAL, an impulse contact at the input starts an individual analysis, while with permanent contact one analysis after the other is run.

**Stop**  
terminals 22,23

Function	Test time	Action
<b>Stop</b> External analysis stop (e.g. via flow controller or process controller) (normally closed or normally open)	None	As long as the contact at the input is 'open' or 'closed', no analyses are carried out

An active Stop input prevents an analysis start, e.g. via a completed interval. This can be necessary if the plant does not supply water. A current analysis is stopped when the input valve is opened (while the measuring chamber is being flushed or filled). The water which has already entered the measuring chamber remains there. If the measuring chamber is already full, the analysis is executed. Manual start has priority over the Stop input, i.e. if the Stop input is active, an analysis can be started manually or a manually started analysis cannot be stopped by the stop signal. In the operating mode "time-controlled", the interval time continues when the Stop input has been activated.

>FUNCTION STOP ▾▲ME
Normally closed contact
Normally open contact *

- In the >BASIC PROGRAM menu, select  
=> PROGRAM VALUES=> FUNCTION STOP
- Select the type of contact
- Press "ENTER" to confirm the selection

### IN1 terminals 24,25

>FUNCTION IN1	▼▲ME
Normally closed contact	
Normally open contact *	

Function	Test time	Action
<b>IN1</b> Message from the process controller (regeneration finished) (normally closed or normally open)	Fixed, 10 seconds	Plant monitoring start and capacity reset to 100% with dynamic

- In the >BASIC PROGRAM menu, select => PROGRAM VALUES=> FUNCTION IN1
- Select the type of contact
- Press "ENTER" to confirm the selection

### IN2 terminals 26,27

Function	Test time	Action
<b>IN2</b> Water meter input (normally open)	None	Quantity recording for analysis start and plant monitoring

### OUT terminals ⊥, 28,29

Function	Connection	Action
<b>OUT</b> Programmable interface 0-20 mA or 4-20 mA	max. load 500 Ohms	Programmable
<b>OR</b> Serial interface RS 232	Serial bus (2-wire cable)	See description of interface card RS 910 (See Technical info "T2000 FE-RS232")
Refer to the section entitled "Interfaces" for a detailed description		

## Interfaces (optional)

Current interface 0/4-20 mA

### NOTE

#### Current interface load

- The maximum load of 500 Ohms should not be exceeded!  
In case of possible faults and when using very long cables (approx. 20 m), a screened cable should be used, if possible.

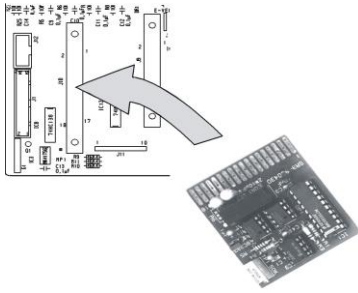
## Installing the interface cards SK910/RS910



### WARNING

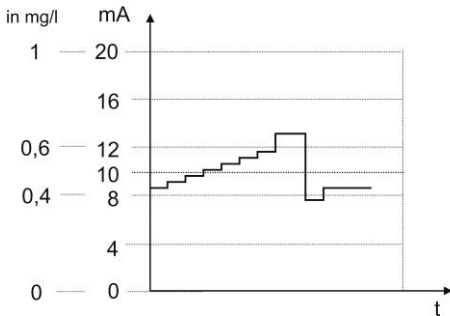
#### Avoid static charges during installation!

Personnel responsible for installation must be appropriately trained and qualified!



- Switch off the instrument.
- Insert the plug-in circuit board into the left-hand slot with the component side on the left. (Contact no.1 is at the top)
- Switch on Testomat 2000®.
- Program the desired type of current (0/4-20mA) (for SK910).

Example 1 Measuring point, Interface 0 - 20 mA



>INTERFACES ▼▲ME	
Type 0-20mA	*
Type 4-20mA	
TYPE RS232	
Type Data logger	

>MEASURING POINTS ▼▲ME	
1 Measuring point	*
2 Measuring points	

### Monitoring of one measuring point

A printer can be connected to record the analysis results. The instrument is equipped with a programmable current output for this purpose (optionally 0-20 mA or 4-20 mA).

The example on the left displays the current profile in the 0-20 mA range for one measuring point.

- In the >BASIC PROGRAM menu, select  
=> PROGRAM VALUES=> INTERFACES
- Select the desired current range
- Press "ENTER" to confirm the selection
  
- In the >BASIC PROGRAM menu, select  
=> PROGRAM VALUES=> MEASURING POINTS
- Select the desired configuration
- Press "ENTER" to confirm the selection

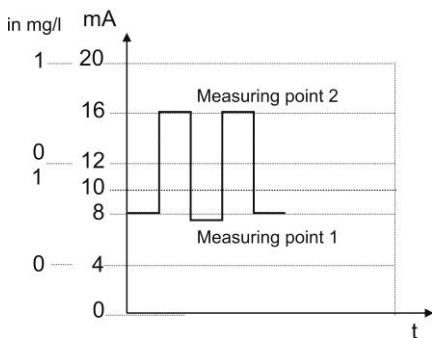
### Monitoring of two measuring points

The example on the left displays the current profile for 4-20 mA and the use of two measuring points.

Measuring point 1 and measuring point 2 are measured alternatively. The measured value 1 is shown in display line 2 (M1:) and the measured value 2 in line 3 (M2:). The currently analysed measuring point is indicated by an asterisk on the right.

The range of the current interface is divided. The range 4 – 12 mA is available for the measured value from measuring point 1 and range 12 – 20 mA for the measured value from measuring point 2.

Example 2 Measuring points, Interface 4 - 20 mA



>INTERFACES ▼▲ME	
Type 0-20mA	
Type 4-20mA	*
TYPE RS232	
Type Data logger	

>MEASURING POINTS ▼▲ME	
1 Measuring point	
2 Measuring points	*

- In the >BASIC PROGRAM menu, select  
=> PROGRAM VALUE=> INTERFACES
- Select the desired current range
- Press "ENTER" to confirm the selection
  
- In the >BASIC PROGRAM menu, select  
=> PROGRAM VALUE=> MEASURING POINTS
- Select the desired configuration
- Press "ENTER" to confirm the selection

How is the current calculated for a specific measured value?

1 measuring point  
0 - 20 mA

$$\text{Current} = \frac{\text{Measured value}}{\text{Maximum value}} \times 20 \text{ mA}$$

1 measuring point  
4 - 20 mA

$$\text{Current} = \frac{\text{Measured value}}{\text{Maximum value}} \times 16 \text{ mA} + 4 \text{ mA}$$

2 measuring points  
0 - 20 mA

$$\text{Current 1} = \frac{\text{Measured value 1}}{\text{Maximum value}} \times 10 \text{ mA}$$

$$\text{Current 2} = \frac{\text{Measured value 2}}{\text{Maximum value}} \times 10 \text{ mA} + 10 \text{ mA}$$

2 measuring points  
4 - 20 mA

$$\text{Current 1} = \frac{\text{Measured value 1}}{\text{Maximum value}} \times 8 \text{ mA} + 4 \text{ mA}$$

$$\text{Current 2} = \frac{\text{Measured value 2}}{\text{Maximum value}} \times 8 \text{ mA} + 12 \text{ mA}$$

Measuring range exceeded (e.g. >1- 0 mg/l)

The current is set to 20 mA.

Measured value = Value displayed in the selected unit

Maximum value = Final value of the measuring range (1.0 mg/l)

## Serial interface RS232

Testomat 2000® Fe can also be connected to a log printer via the serial interface RS232 to enable the printout of measuring results and error messages. Analyses can then be continuously logged. This option is only possible in connection with the interface card RS232, RS910 (Art. no. 270310).

>INTERFACES	▼▲ ME
Type 0-20mA	
Type 4-20mA	
TYPE RS232	*
Type Data logger	

- In the >BASIC PROGRAM menu, select  
=> PROGRAM VALUES=> INTERFACES
- Select the desired interface
- Press "ENTER" to confirm the selection

## SD card data logger

With the SD card data logger (article number 100490), the measurements of the Testomat 2000® can be logged continuously.

To operate the data logger, please proceed as follows:

>INTERFACES	▼▲ME
Type 0-20mA	
Type 4-20mA	
Type RS232	
TYPE DATA LOGGER	*

- In >BASIC PROGRAM, select  
=> PROGRAM VALUES=> INTERFACES
- Select "Type Data logger".
- Press "ENTER" to confirm the selection

## Description of the relay outputs

All relay outputs are neutral contacts. This ensures that all connection options are available. The switching of mains voltage and external voltage, and the direct switching of inputs, e.g. a process controller, can be realised.

**Flush valve**  
terminals 1,2

### Flushing (external flush valve)

Immediately before each analysis, the external flush valve is opened for the programmed period allowing the line up to Testomat 2000® Fe to fill with measuring water. Please ensure that the programmed flush time is sufficient.

Please refer to "Entering further basic program data" → "External flush" for programming details

### LV1 and LV2 limit value outputs

Two volt-free relay contacts are available to signal that a limit value has been exceeded. The limit values, the hysteresis and the function can be freely programmed for both contacts:

**Limit value 1**  
terminals 3,4,5

Function	Contact	Action
<b>LV1</b> Relay switches if limit value 1 or measuring point 1 have been exceeded	Volt-free change-over contact	programmable: - Continuous contact - Impulse (1-99 seconds/minutes) - Interval (1-99 seconds/minutes) - Two-step controller (only for one measuring point) - Hysteresis (1st, 2nd or 3rd limit value exceeded)

**Limit value 2**  
terminals 6,7,8

Function	Contact	Action
<b>LV2</b> Relay switches if limit value 2 or measuring point 2 have been exceeded	Volt-free change-over contact	programmable: - Continuous contact - Impulse (1-99 seconds/minutes) - Interval (1-99 seconds/minutes) - Hysteresis (1st, 2nd or 3rd limit value exceeded)

Please refer to the section entitled "Switch functions of the limit value outputs LV1 and LV2" for a detailed description and programming!

### Measuring point 1 or 2 (measuring point switch-over)

**M. point switch-over**  
terminals 9,10,11

If the instrument is used for monitoring two measuring points, the solenoid valves (individual valves or one 3/2-way control valve) of the corresponding sampling line have to be connected to this output. The terminals are strictly allocated to the measuring points.

Terminal 9 = Measuring point 1 , Terminal 10 = Measuring point 2

MEASURING POINTS ▼▲ME
1 Measuring Point
2 Measuring Points *

- In the >BASIC PROGRAM menu, select  
=> PROGRAM VALUES=> MEASURING POINTS
- Select "2 measuring points"
- Press "ENTER" to confirm the selection

### AUX (programmable function output)

The functioning of this volt-free relay output is programmable:

1. For reporting a current analysis and/or
2. For contact prior to an analysis, e.g. to operate a cooler or
3. For contact after an analysis

**AUX**  
terminals 12,13

>FUNCTION AUX ▼▲ME
CONTACT BEFORE ANALYSIS *
Contact during analysis
Contact after analysis
Time: 00m10s

- In the >BASIC PROGRAM menu, select  
=> PROGRAM VALUES=> FUNCTION AUX
- Select the program step at which the AUX contact is to be activated
- Enter the contact duration in minutes (m) and seconds (s) under "Time"
- Press "ENTER" to confirm the entry

**Alarm**  
terminals 14,15,16

The following faults activate the "Alarm" output and are displayed:

**Always** fault message for:

Power failure  
Low water level  
Function fault optics  
Function fault dosing pump  
Function fault drain outlet  
Function fault failure 24V

**Programmable** fault messages for:

Low reagent level  
Measuring fault soiling  
Measuring fault turbid  
Plant monitoring  
Measuring range exceeded  
Maintenance exceeded

**Maintenance**  
terminals 17,18,19

**Activation** of the maintenance output for:

Low reagent level  
Measuring chamber soiled (measuring point soiling)  
Maintenance date reached

**Alarm (fault message output)**

The "Alarm" output is a volt-free change-over relay contact. During trouble-free operation, the contact between the terminals 15 – 16 is closed and the one between terminals 14 – 16 is open. In case of a voltage breakdown, the contact between the terminals 14 – 16 is closed and the one between terminals 15 – 16 is open.

The instrument is equipped with a range of monitoring functions. You can define the individual statuses as a fault and program the corresponding message either as a continuous contact (A) or as a message impulse (M).

Functions/Behaviour of the "Alarm" output:

- With a continuous contact, the "Alarm" output remains activated (terminals 14 – 16 closed) as long as the fault persists.
- With a message impulse, the output is switched 'on' for 2 seconds and then switched 'off' for 5 seconds.
- If several faults with differently programmed messages are signalled simultaneously, the output is switched to continuous contact.
- The red LED "Alarm" and the text on the display indicate a fault.
- The fault message signal at the "Alarm" output is deleted by confirming the fault via the "Horn" key.
- The error message can only be deleted if the fault has been eliminated.
- **Exception:** The maintenance date has been exceeded. This message is confirmed in the M menu, see below (Maintenance).
- Each new fault is entered in the error history (also see "i menu").
- There is **no** additional alarm via the fault message output when the limit value is exceeded!

Refer to "Error messages / Troubleshooting" for a description of the error messages.

**Maintenance (output for maintenance message)**

The "Maintenance" output is a volt-free change-over contact. During trouble-free operation without a programmed maintenance interval, the contact between the terminals 17 – 19 is closed and the one between terminals 18 – 19 is open.

The instrument is equipped with a range of monitoring functions and a programmable maintenance interval. The respective maintenance message is always a continuous contact.

A maintenance request is displayed via the yellow "Maintenance" LED. The maintenance display can only be deleted once the status has been corrected or after the maintenance request has been confirmed.


Please refer to the section entitled "Password protection and basic program" for further programming details.



# Information menu "i"

In the information menu, it is possible to request current settings and statuses of the instrument, the error history, the date of the next maintenance and the customer service address.

## Call (1)

Use the  key to open the information menu "i".

Request options: customer service, operating values, program values, error history, maintenance

### Customer service (2)

Display of the customer service address or, e.g., a service hotline.  
You can freely program these lines in the basic program (password protected).

### Operating values (3)

Display of the current values.

### Program values (4)

Use the arrow buttons to call the menu item "Program values". Press "ENTER" to open the list of set values. The current setting of a parameter can be requested via "ENTER"

An asterisk indicates the selected functions. (There are no active lines)

### Error history (5)

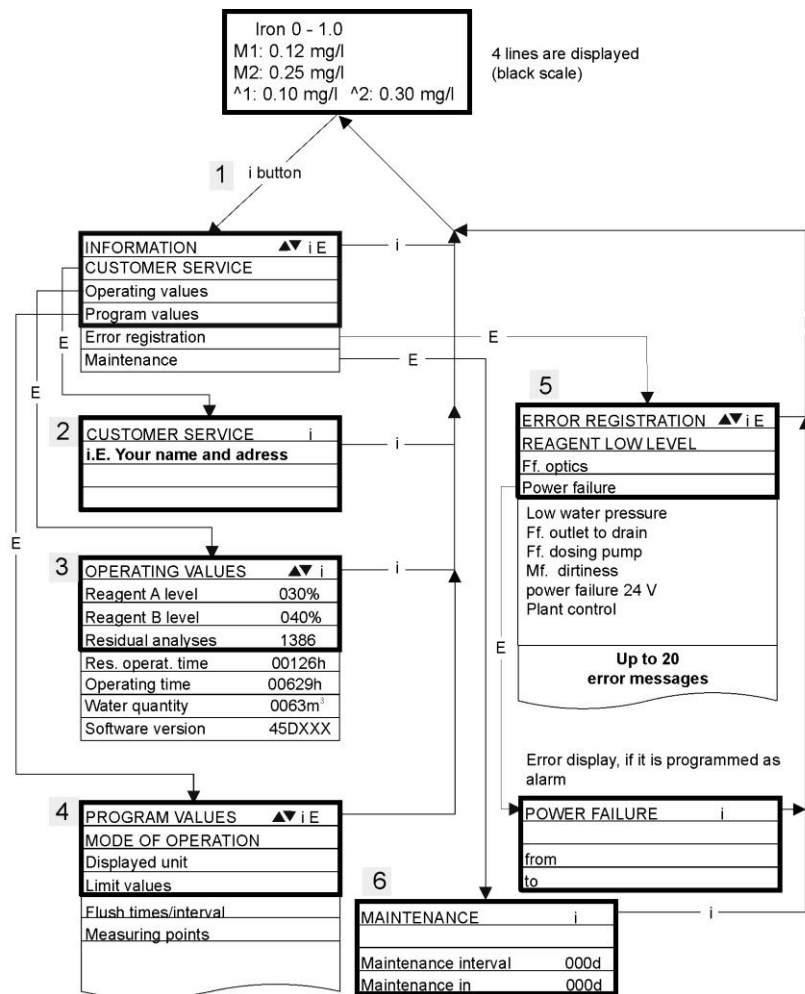
Use the "i" and "ENTER" keys to open the error history. The error history is a list of errors or statuses which have occurred during operation. The list is deleted after a power failure and a new list is started.

If no errors have occurred since start-up, the last switch-on time of the unit is displayed, e.g.:

**POWER FAILURE**  
from 16.05.11 06:56  
to 16.05.11 07:09

### Maintenance (6)

Display of the next maintenance date and the programmed maintenance interval. It is possible to set the maintenance interval in the basic program (password protected). Refer to the section entitled "Maintenance" for further details on maintenance intervals.



Please refer to the section entitled "Password protection and basic program" for further programming and setting details for the individual menu items.

# Program menu "M"

## Service I (2)

### Input reagents (3)

Enter the new filling levels after each refill or reagent bottle change. Once you have selected the menu item for entering the filling level "Reagent A filling level (0 - 100%)" or "Reagent B filling level (0 - 100%)" via the "ENTER" key, the value is preset to 100%. If you have connected a full bottle, press "ENTER" to confirm the value. If the filling level of the bottle differs, enter the corresponding value.

### Manual operation (4)

After confirming the information message (4) via the "ENTER" key, it is possible to select and activate the desired function by using the arrow keys and pressing the "ENTER" key. These functions are used for checking the functions and for commissioning.

### Flush (5)

Start the flushing of the sampling tube through the internal valve by pressing "ENTER". Press "ENTER" again to terminate this function.

### Flush chamber (6)

Press the "ENTER" key to flush the measuring chamber once.

### Drain chamber (7)

Press the "ENTER" key to open the outlet valve in order to drain the water from the measuring chamber. Press the "ENTER" key again to cancel this function.

### Fill chamber (8)

Press the "ENTER" key to fill the measuring chamber.

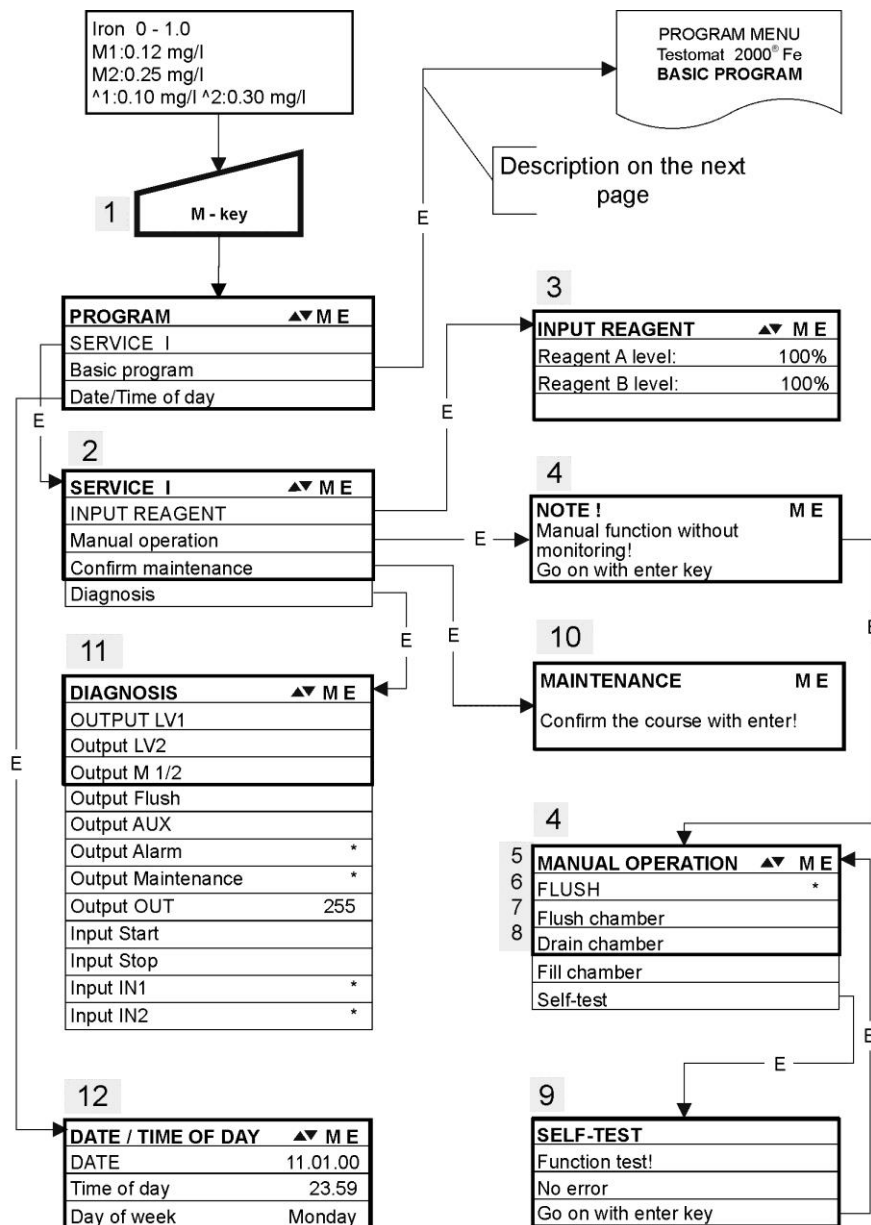
Call: (1)



Use the **M** key to open the program menu "M".

It is possible to call up all the functions without password protection except for the basic program.

Programming of: reagents, manual mode, flushing, flush chamber, drain chamber, fill chamber, self-test, confirm maintenance, diagnosis, date, time, basic program with password



**NOTE**

### Availability of functions

- All manual functions can only be selected during an analysis pause. Analyses are not carried out during manual mode. All signal inputs and outputs are locked.

>SELF-TEST	▼▲ME
FUNCTION TEST!	
No error	
Go on with enter key	

### Self-test (9)

Press "ENTER" to start the functional test of Testomat 2000® Fe. The program checks all relevant instrument functions and carries out an analysis. A respective message is displayed if errors have occurred.

Press the "ENTER" key again to cancel this function and to return to the "MANUAL OPERATION" menu.

>MAINTENANCE	ME
Confirm the course with enter!	

### Confirm maintenance (10)

After maintenance has been carried out, confirm it by pressing the "ENTER" key and exit this item via the "M" key. The maintenance interval is restarted.

Confirm a maintenance request due to an expired maintenance interval in the M menu. The displayed message is deleted and the "maintenance" output reset.

Refer to the section entitled "Maintenance" for further details on maintenance intervals.

>DIAGNOSIS	▼▲ME
OUTPUT LV1	
Output LV2	
Output M 1/2	
Output Flush	
Output AUX	
Output Alarm	*
Output Maintenance	*
Output OUT	200
Input Start	
Input Stop	
Input IN1	*
Input IN2	*

### Diagnosis (11)

It is possible to request the current statuses of the signal inputs and outputs in a list. Active statuses are marked with an \*. (see "Structure of the basic program").

The current interface can be checked under "OUT output". Press the "Enter" key to toggle between minimum and maximum current.

Change-over occurs between 000 and 200 at 0-20 mA!

### Time/Date (12)

Set the time and date by selecting and activating the desired function via the arrow keys and the "ENTER" key. Subsequently press the "M" key again to save the setting and to return to the display function.

Refer to "Functions of the operating and display elements" → "Operating system" for more details.

### Call the factory default setting:

Press the "M" and ";" key and switch on Testomat 2000® Fe.

**Caution:** All previously entered data is overwritten!

The values and settings of the basic default setting are described in the "structure of the basic program".

### Basic program

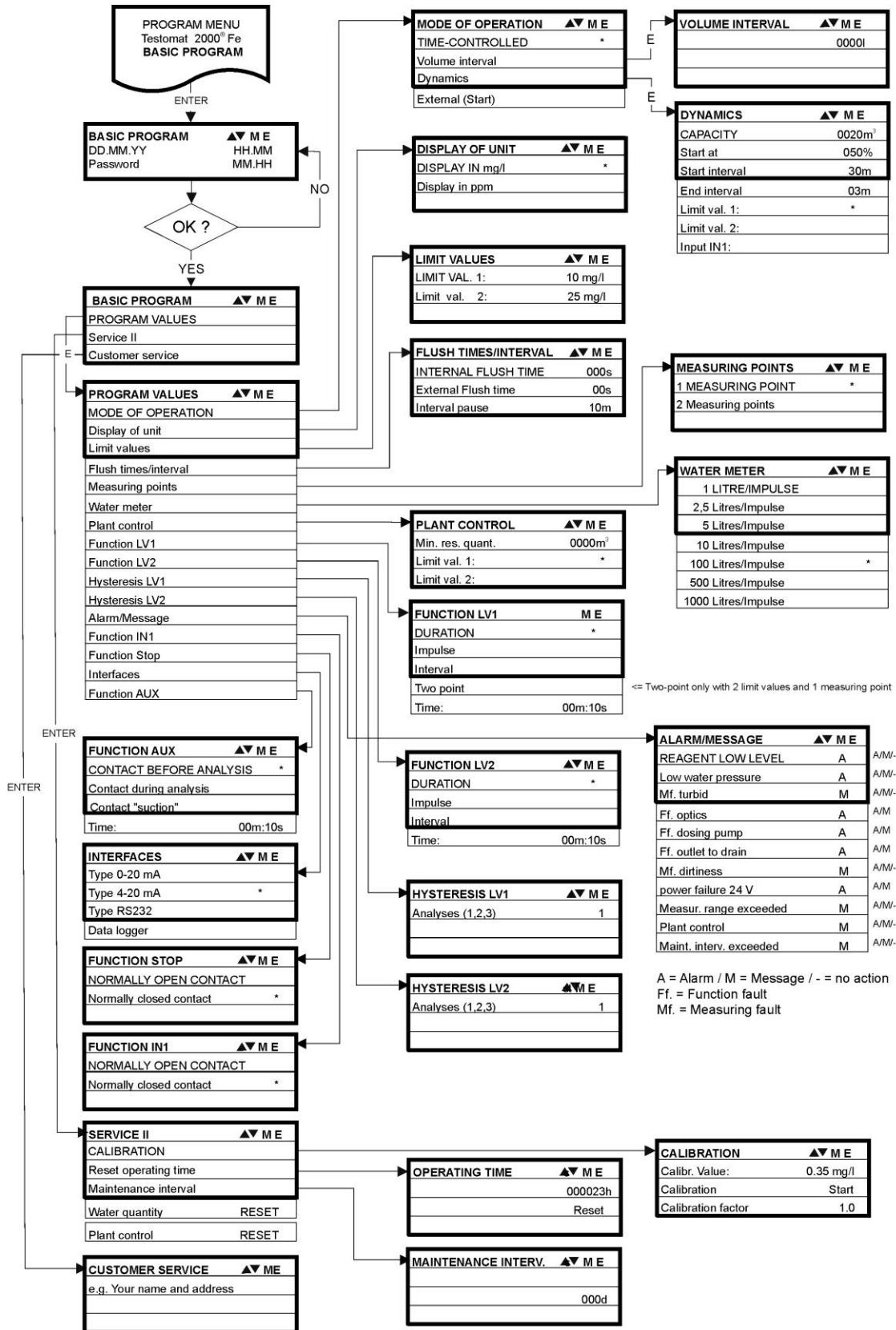
This menu item can only be accessed after entering the password!

After entering the password and confirming it via the "ENTER" key, it is possible to carry out basic programming of the instrument and to select various service functions (e.g. calibration).

In the basic program, the following abbreviations are used in the respective menu items:

s = seconds; m = minutes; h = hours; d = days; l = litres

# Structure of the basic program



Call the basic factory program by simultaneously pressing and holding down the "M" and "i" keys while switching on the instrument. CAUTION, the last set of programming will be lost!

## Error messages / Troubleshooting

Displayed message / display (flashes at selected display)	Instrument result functions	Description, possible causes	Remedies
Ff. POWER FAILURE 24 V ➤ CONFIRM WITH HORN KEY	- After programming: Continuous alarm or message impulses - Standby	- Internal power failure of the 24 V supply	➤ Replace fuse F4 or F8 (The control lamp "Power" of the dosing pump should illuminate)
Ff. DOSING PUMP ➤ CONFIRM WITH HORN KEY	- After programming: Continuous alarm or message impulses - Standby	- Dosing pump is defective - No dosing message from dosing pump	➤ Replace dosing pump ➤ Check cable to the dosing pump for correct connection
Mf. TURBID ➤ CONFIRM WITH HORN KEY	- After programming: Continuous alarm or message impulses or no message - Continue measurements	- The water is too turbid / soiled	
MEASURING RANGE EXCEEDED ➤ CONFIRM WITH HORN KEY	- After programming: Continuous alarm or message impulses or no message - Continue measurements	- The measuring range has been exceeded	
LOW WATER LEVEL ➤ CONFIRM WITH HORN KEY	- After programming: Continuous alarm or message impulses or no message - Standby	- no water input although LED "IN" lights up - Inlet pressure too low - Overflow detection does not react	➤ Check water inlet ➤ Connector at the inlet valve oxidised ➤ Clean filter strainer ➤ Replace valve block ➤ Remove pressure controller valve body ➤ Replace fuse F6
Ff. OUTLET TO DRAIN ➤ CONFIRM WITH HORN KEY	- After programming: Continuous alarm or message impulses - Standby	- Water remains in the measuring chamber although LED "OUT" illuminates	➤ Check water outlet ➤ Connector at the outlet valve oxidised ➤ Replace valve block
REAGENT LOW ➤ CONFIRM WITH HORN KEY	- After programming: Continuous alarm or message impulses or no message - LED and output "maintenance" on - Continue measurements	- Minimum reagent quantity not reached 50 ml (10%)	➤ Check reagent level and refill, if necessary ➤ Enter the filling quantity!
Mf. SOILING ➤ CONFIRM WITH HORN KEY	- After programming: Continuous alarm or message impulses or no message - LED and output "maintenance" on - Continue measurements	- Sight-glass windows are soiled	➤ Clean sight-glass windows
Ff. OPTICS ➤ CONFIRM WITH HORN KEY	- After programming: Continuous alarm or message impulses - Standby	- Plug-in circuit board defective - Error at the optical component (transmitter or receiver defective)	➤ Replace plug-in circuit board ➤ Replace measuring chamber holder
MAINTENANCE INTERVAL EXCEEDED BY XXX DAYS ➤ CONFIRM WITH HORN KEY	- After programming: Continuous alarm or message impulses or no message - LED and output "maintenance" on - Continue measurements	- Programmed maintenance date reached or exceeded	➤ Carry out maintenance and subsequently confirm maintenance
Abbreviations: Ff.: = function fault, Mf. = Measuring fault			

## Further information

Error	Possible causes	Remedies
Current interface functions incorrectly	- Incorrect measured value at the output or no power supplied	<ul style="list-style-type: none"> <li>➤ Replace fuse F7</li> <li>➤ Replace the interface circuit board</li> </ul>
Instrument is not functioning, even though it is switched on No display	<ul style="list-style-type: none"> <li>- Fuse F9, F5 or F2 (240 V: F1) defective</li> <li>- Power switch defective</li> <li>- Ribbon cable at display circuit board or base circuit board is loose</li> <li>- Error at display or base circuit board</li> </ul>	<ul style="list-style-type: none"> <li>➤ Replace fuses</li> <li>➤ Replace power switch</li> <li>➤ Reconnect ribbon cable</li> <li>➤ Replace display or base circuit board</li> </ul>

### Response of a protective circuit

After a protective circuit (fuse) has been tripped, attempt to eliminate the cause of malfunctioning (e.g. replace a defective valve) before reactivating the protective circuit. Frequent tripping is always due to an error which, in certain circumstances, may also cause damage to the instrument.

### Malfunctioning/Repairing a defective instrument:

The repair of a defective instrument – irrespective of the warranty period - is only possible after the instrument has been dismantled and returned to us with a description of the error. Please also inform us of the measured medium. Before you return the instrument for repair work, remove the reagent bottles and ensure that the measuring chamber has been flushed out and is empty.

# Maintenance

## NOTE

### Required maintenance measures

- Regular maintenance is necessary to ensure trouble-free operation of the instrument!

Please regularly carry out the maintenance work described in the following section when

- the programmed maintenance date has been reached (display "maintenance date exceeded")
- the instrument displays the following error messages: "Mf. soiling" or "Low reagent level"
- the last maintenance was carried out max. 6 months ago

## CAUTION

### Cleaning measures

- Never use organic solvents to clean the measuring chamber or other plastic parts!
- Please observe the safety regulations when handling cleaning agents!
- If the measuring range of the instrument is exceeded over a longer period of time, a coloured film may form on the sight-glass windows. Use alcohol to remove this sticky film.

## Description of maintenance work

Please refer to the "Maintenance manual Testomat 2000®/Testomat ECO®" for a detailed description of maintenance work. The measures described here only provide a brief overview.

### Cleaning the measuring chamber and sight-glass windows

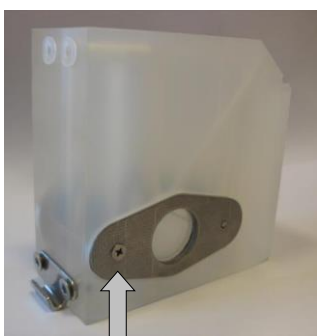
- Switch off the instrument or press the "STANDBY" key. If required, remove any water from the measuring chamber.

**M** → SERVICE I → MANUAL OPERATION → Drain chamber

- Close the manually-operated valve of the branch line to Testomat 2000® Fe.
- Unhook the toggle type fastener ①, tilt the measuring chamber upwards and remove it.
- Release both sight-glass window holders ②; remove and clean the sight-glass windows.
- Use alcohol to clean off the film on the sight-glass windows. If the instrument has been used with hard water for a longer period of time, a hard-to-remove film may have formed on the sight-glass windows. If this is the case, clean the sight-glass windows as described below for cleaning the measuring chamber.

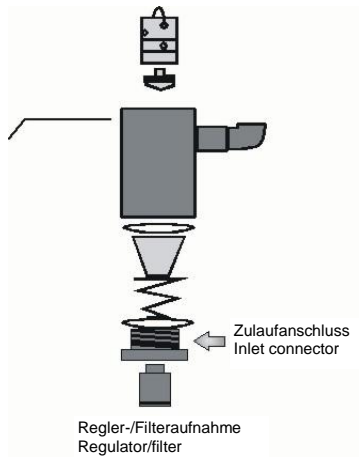


①



②

- The measuring chamber can be cleaned with a cleaning agent suitable for decalcification and rust removal. Flush the measuring chamber thoroughly after cleaning.
- After cleaning, re-insert the sight-glass windows and secure them with the sight-glass window holders (do not forget the flat seals and ensure correct fitting in the groove).
- Re-insert the measuring chamber and secure it using the toggle type fastener.



### Cleaning the controller/filter housing

- Close the manually-operated valve of the branch line to Testomat 2000® Fe.
- Depressurise the lines of Testomat 2000® Fe via the function:
  - M** → SERVICE → MANUAL OPERATION → Flush chamber
- Switch off the instrument and loosen the hose connections at the filter housing.
- Unscrew the inlet connection using an open ended spanner (size 22) and remove the seal, spring and filter.
- Remove the retaining pin and extract the flow controller, subsequently remove the flow controller valve body.
- Clean the filter housing with water or alcohol; then reassemble the unit.
- If required, replace the seals.
- Insert the filter strainer with the cone facing downwards!
- Re-attach the hose connections at the filter housing.

### Important maintenance information

- Water leakage at sealed points can damage instrument parts!  
Please check the instrument for leaks prior to the first analysis:
- Switch the instrument to "STANDBY"
- Manually fill the measuring chamber
- Manually dose the reagent ("Manual" key)
- Check the connections and seals for leaks

### Service instructions

The surface of the instrument has not been treated. Therefore, avoid any soiling caused by reagents, oil or grease. However, if the housing becomes soiled, please clean the surface with isopropanol (never use other solvents).



## Testomat 2000® Fe spare parts and accessories

Art. no.	Pressure controller
40125	Controller / Filter receiver, complete
40120	Controller / Filter receiver
40129	Controller plug T2000, complete
11225	Flow controller valve body, complete
11230	Retaining pin 3x38 90°
11217	Inlet filter 19.5dx25
11218	Spring for inlet filter
40121	Inlet connector
40153	Plug in connector G 1/4" -6
40157	Angled plug-in connector G 1/8"
Measuring chamber	
40173	Sight-glass window with seal, T2000
40170	Sight-glass window 30x3
40176	Sight-glass holder, countersink and thread.
33253	Bolt M3x40, A2, DIN 965
40032	Latch fastener TL-17-201-52
11203	Plastic plug 5.3dx5 PE natural
40022	Measuring chamber T2000, complete
Measuring chamber holder	
40371	Measuring chamber holder, DUO
40050	Magnetic stirrer, processed
40186	Plug-in connector 3/8" -10, processed
40018	Solenoid valve, 2/2-way
40181	Rear guide bar for measuring chamber 5 x 60
Dosing pump DOSIClip®	
40201	Dosing pump, SP
40011	Suction hose, complete
40016	Pressure hose, complete
40040	Valve set
32046	Plastic cover CNH 45 N

Art. no.	Bottle connection/Suction device
40131	Screw cap with bottle insert T2000
40130	Screw cap GL32 - hole
40132	Bottle insert for screw cap with push-fit suction tube
Unit spare parts list	
31582	Fuse M4A
40294	Base circuit board T2000, complete 230 V
40092	Control circuit board T2000, complete
40091	Plug in circuit board driver/receiver SE-T2000 (6)
40190	Cable sleeve 5-7, grey
40191	Cable sleeve 7-10, grey
31713	Ribbon cable 10 pole with EMI filter clamp
40096	Ribbon cable 26 pole with EMI filter clamp
40060	Cable loom 2V for T2000
40062	Cable loom 2P for T2000
40200	Cable loom, complete with power switch and cover
31596	Fuse, soldered T0.08A
31585	Fuse, soldered T0.315A
31595	Fuse, soldered T0.1A
31622	Fuse, soldered T0.16A
31592	Fuse, soldered T1.0A
Spare parts requirement for 2 - 3 years of operation	
40173	Sight-glass window with seal, T2000
11217	Inlet filter 19.5dx25
40124	Gasket set T2000
31585	Fuse, soldered T0.315A
31592	Fuse, soldered T1.0A

## Accessories

Please refer to our delivery programme for an up-to-date overview of available accessories.

Art. no.	Description
040123	Retrofit kit for water inlet T2000 *)
270305	Interface card 0/4-20 mA SK 910
270310	Interface card RS232 RS 910
270315	Interface card 0/2-10 V UK 910
100490	SD card data logger for Testomat 2000
270410	Booster pump
270337	Maintenance lab T2000 Heyl


**\*) retrofit kit for water inlet, Art. no. 040123**

If fabric-reinforced pressure hoses (e.g. for existing installations) are used, please replace the plug connector at the controller and filter housing with a plug for the quick-release coupling (not included).

## Reagents

Art. no.	Reagents
156250	FE2005A iron 0 – 1.0 mg/l (ppm), reagent A, 500ml
156251	FE2005B iron 0 – 1.0 mg/l (ppm), reagent B, 500ml

## Technical data

Power supply:	230 VAC, 115 VAC or 24 VAC $\pm$ 10%, 50 - 60 Hz Fuse 230 V: T0.1A Fuse 115 V: T0.2A Fuse 24 V: T1.0A
Power consumption:	max. 30 VA, without external load
Protection class:	I
Degree of protection:	IP 65
Conformity:	EN 61000-6-2, EN 61000-6-4, EN 61010-1 
Ambient temperature:	10 - 45°C
Measuring range:	See section "Performance specifications"
Current interface:	0/4 - 20 mA, max. load 500 Ohms
Protocol printer:	See section "Accessories"
Dimensions:	W x H x D = 380 x 480 x 280 mm
Weight:	Approx. 10.5 kg
Others:	The instrument is non volatile

Mains water supply	
Operating pressure:	1 to 8 bar / $1 \times 10^5$ to $8 \times 10^5$ Pa <b>or</b> 0.3 to 1 bar / $0.3 \times 10^5$ to $1 \times 10^5$ Pa (After removing the valve body 11225)
Water inlet:	Opaque pressure hose with an external diameter of 6/4x1 mm
Water outlet:	Pressure hose with an internal diameter of 12 mm
Water temperature:	10 to 40°C

\* When using Testomat 2000® at a pre-pressure of 0.3 bar, it must be ensured that the flow rate through the measuring chamber is at least 400 ml/min.

**We reserve the right to make technical changes without notice in the interest of constantly improving our products!**  
Our manuals are updated regularly. If you have an older version (see version at the back of the manual) you will find the current manual on our website [www.heyl.de](http://www.heyl.de) on the download page.

## Conformity Declaration

### EC Conformity Declaration



for the following product

**Testomat 2000 Fe**  
**Process Photometer for Iron (Dissolved) 0 – 1.0 mg/l**

We hereby confirm that the above product conforms to the principal health and safety regulations laid down in the EC Directives 2014/30/EU and 2014/35/EU. This declaration applies to all units produced in accordance with the attached manufacturing documents which are a constituent part of this declaration.

The product was assessed with reference to the following standards:

**EN 61000-6-4:** Electromagnetic compatibility, Generic emission standard  
**EN 61000-6-2:** Electromagnetic compatibility, Generic immunity standard  
**EN 61010-1:** Safety requirements for electrical equipment for measurement, control and laboratory use

This declaration is made on behalf of

**GEBRÜDER HEYL**  
**Analysentechnik GmbH & Co. KG**  
**Orleansstraße 75b**  
**31135 Hildesheim**

by

  
Jörg-Tilman Heyl  
General Manager

Hildesheim, 20/04/2016

## Product overview Testomat 2000® instruments



Model/Type	Measuring Parameter	Measuring Range	Applications/Functions
<b>Testomat 2000®</b>	<ul style="list-style-type: none"> <li>• Water hardness</li> <li>• Carbonate hardness</li> <li>• p-value</li> <li>• minus-m-value</li> </ul>	0.05-25 °dH 0,5-20 °dH 1-15 mmol/l 0.05-0.5 mmol/l	<ul style="list-style-type: none"> <li>• Universal for water treatment plants</li> <li>• allowed for boiler houses</li> </ul>
<b>Testomat 2000® Antox</b>	as Testomat 2000®	as Testomat 2000®	<ul style="list-style-type: none"> <li>• dosing a reducing agent</li> </ul>
<b>Testomat 2000® CAL</b>	as Testomat 2000®	as Testomat 2000®	<ul style="list-style-type: none"> <li>• Automatic calibration function</li> </ul>
<b>Testomat 2000® CLF</b>	<ul style="list-style-type: none"> <li>• Free Chlorine</li> </ul>	0-2.5 mg/l	<ul style="list-style-type: none"> <li>• DPD-method for swimming pool and drinking water control</li> </ul>
<b>Testomat 2000® CLT</b>	<ul style="list-style-type: none"> <li>• Total Chlorine</li> </ul>	0-2.5 mg/l	<ul style="list-style-type: none"> <li>• DPD-method for swimming pool and drinking water control</li> </ul>
<b>Testomat 2000® CrVI</b>	<ul style="list-style-type: none"> <li>• Chromate</li> <li>• Chrome-VI</li> </ul>	0-2.0 mg/l 0-1.0 mg/l	<ul style="list-style-type: none"> <li>• process control of waste water in galvanic industry</li> </ul>
<b>Testomat 2000® Duo</b>	as Testomat 2000®	as Testomat 2000®	<ul style="list-style-type: none"> <li>• Controlling of two measuring points</li> </ul>
<b>Testomat 2000® Fe</b>	<ul style="list-style-type: none"> <li>• Iron-II and Iron-III</li> </ul>	0-1.0 mg/l	<ul style="list-style-type: none"> <li>• De-Ironing plants</li> </ul>
<b>Testomat 2000® Polymer</b>	<ul style="list-style-type: none"> <li>• Polyacrylate</li> </ul>	0-50 mg/l	<ul style="list-style-type: none"> <li>• Monitoring of conditioning agents in the cooling and heating cycles</li> </ul>
<b>Testomat 2000® SO<sub>3</sub></b>	<ul style="list-style-type: none"> <li>• Sulphite</li> </ul>	0-20 mg/l	<ul style="list-style-type: none"> <li>• Control of the Oxygen-binding by Sulphite in boiler feed water</li> </ul>
<b>Testomat 2000® self clean</b>	as Testomat 2000®	as Testomat 2000®	<ul style="list-style-type: none"> <li>• Automatic cleaning of the measuring chamber</li> </ul>
<b>Testomat 2000 THCL®</b>	<ul style="list-style-type: none"> <li>• Total Chlorine</li> <li>• Water hardness</li> </ul>	0-2.5 mg/l 0.25-2.5 °dH	<ul style="list-style-type: none"> <li>• DPD-method for swimming pool and drinking water control</li> <li>• combination system for hardness and chlorine</li> </ul>
<b>Testomat 2000® V</b>	<ul style="list-style-type: none"> <li>• Water hardness</li> <li>• Carbonate hardness</li> </ul>	1.0-25.0 °dH 1.0-20.0 °dH	<ul style="list-style-type: none"> <li>• blending water</li> </ul>

# Check List Testomat 2000®

Dear customers and service technicians,

This check list cannot replace your expertise or extensive experience in fault resolution. It is intended to support fast and systematic error diagnosis and error documentation. This list does not claim to be complete. We are therefore always grateful for any advice and information you may be able to provide. General user instructions can be found on the rear of this check list.

The Instrument Manufacturer

## Block 1 / Plant and instrument data

		Testomat 2000®				
		Testomat® ECO				
Plant type		Instrument type	Instrument no.	Indicator type	Software status	Pump no.

## Block 2 / Error message and error history Please mark appropriately (X)

What does your instrument's error history display? ("i" and "Enter" key => operating instructions)				( Error history text )
Does an error message appear on the display? For example, "Mf. analysis", "Low water level", etc. (See operating instructions: "Error messages / Troubleshooting")	Yes	No		( Error message text )

## Block 3 / Visual inspection and functional test Please mark appropriately (X) If applicable, values / comments

Is the instrument connected to the mains voltage specified on the rating plate?	Yes	No	
Does a message appear on the display?	Yes	No	
Does the instrument display a plausible measured value? (possible manual measurement _____ value)	Yes	No	Measured value:
Are the measuring chamber and sight-glass windows clean?	Yes	No	
Are the measuring chamber and the water-carrying hoses free of leaks?	Yes	No	
Is the reagents's expiry date still valid? (See expiry date printed on the reagent bottle)	Yes	No	Expiry date:
Is the water pressure within the specified range (400 ml/min)? (See the type plate on the instrument)	Yes	No	Plant pressure:
Does the drain hose prevent the risk of backwater? (No "syphoning effect"!!)	Yes	No	
Is the drain hose free of blockages? (Microorganisms caused by contamination, etc.)	Yes	No	
Does the set flushing time/quantity of flush water ensure that only freshwater is measured?	Yes	No	Flushing time:
Are the hoses at the dosing pump free from air bubbles? (Operate the pump manually / Carry out a manual analysis)	Yes	No	

### CARRYING OUT A (MANUAL) ANALYSIS

Does the water column rise evenly up to the overflow borehole when filling the measuring chamber (5 mm below the upper edge of the measuring chamber)? (If not: check the water pressure, water throughput/flow controller)	Yes	No	
Does the indicator pump dose correctly when starting an analysis? (LED at the pump illuminates!)	Yes	No	No. of dosing strokes:
Have the indicator and water been mixed properly in the measuring chamber after the dosing process? Check the magnetic stirring bar! =>see maintenance manual "Adjust mode"	Yes	No	

### PROGRAMMING DATA / OPERATING CONDITIONS

Have the limit values been set correctly? (Within the measuring range/according to the performance limit of the plant?)	Yes	No	Limit values:
Is the Testomat instrument always supplied with mains voltage – except during maintenance work/emergency situations? (Temporary shutdown only via the "Standby" key or the "Stop" input!)	Yes	No	See the "General instructions for operating Testomat 2000® and Testomat® ECO"

Please refer to "Error messages / Troubleshooting" in the **operating instructions** for further information on error messages and possible causes of faults.

Further functional tests (e.g. overflow detection and amplification setting => "Special function Adjust mode") and service instructions can be found in the **maintenance manual**.

After completing these checks, experience shows that it can be assumed that the checked functions (Block 3) are in effective working order if you have answered all the questions with "Yes". We recommend you to carry out these checks during each inspection or if faults occur.

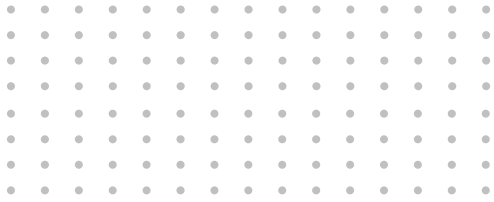
# Instrument settings

## Caution!

Your settings may be deleted if repairs are carried out. Therefore, note down your instrument settings in the table below before sending the instrument to our service team for repairs. Please enclose a copy of the table with the instrument. If you have noted down the settings, they can be easily re-entered by your service staff once any repairs have been completed.

Menu	Setting
<b>MODE OF OPERATION</b>	
Time-controlled	
Volume interval	
Dynamics	
External (Start)	
<b>Dynamics</b>	
Capacity	
Start at	
Start interval	
End interval	
Limit val. 1	
Limit val. 2	
Input IN1	
<b>DISPLAY UNIT</b>	
Display in mg/l	
Display in ppm	
<b>LIMIT VALUES</b>	
Limit val. 1:	
Limit val. 2:	
<b>FLUSH TIMES/INTERVAL</b>	
Internal flush time	
External flush time	
Interval pause	
<b>MEASURING POINTS</b>	
1 Measuring point	
2 Measuring points	
<b>TYPE OF WATER METER</b>	
1 Litre/Impulse	
2,5 Litres/Impulse	
5 Litres/Impulse	
10 Litres/Impulse	
100 Litres/Impulse	
500 Litres/Impulse	
1000 Litres/Impulse	
<b>PLANT CONTROL</b>	
Min. Res. Quant.	
Limit val. 1:	
Limit val. 2:	
<b>FUNCTION LV1</b>	
Duration	
Impulse	
Interval	
Two point	
Time:	
<b>FUNCTION LV2</b>	
Duration	
Impulse	
Interval	
Time:	
<b>HYSTERESIS LV1</b>	
Analysis (1,2,3)	

<b>HYSTERESIS LV2</b>	
Analysis (1,2,3)	
<b>ALARM/MESSAGE</b>	
Reagent low level	
Low water pressure	
Mf. analysis	
Ff. optics	
Ff. dosing fault	
Ff. dosing pump	
Ff. outlet to drain	
Mf. dirtiness	
power failure 24 V	
Mf. turbid	
Plant control	
Transfer error	
Meas. range exceeded	
Maint. int. exceeded	
<b>FUNCTION IN1</b>	
Normally open contact	
Normally closed contact	
<b>FUNCTION STOP</b>	
Normally open contact	
Normally closed contact	
<b>INTERFACES</b>	
Type 0-20 mA	
Type 4-20 mA	
Type RS232	
<b>FUNCTION AUX</b>	
Contact before analysis	
Contact during analysis	
Contact suction	
Time	
Calibration	
Calibr. Value	
Calibration	
Calibration factor	
<b>OPERATING TIME</b>	
<b>MAINTENANCE INTERV.</b>	
<b>CUSTOMER SERVICE</b>	



Gebrüder Heyl  
Analysentechnik GmbH & Co. KG  
Orleansstraße 75b  
D 31135 Hildesheim  
[www.heyhl.de](http://www.heyhl.de)

Testomat\_2000\_FE\_GB\_190819.doc



Scan the code and  
visit us on our website!